

Series 43604 6x RCA Jack / Cinch Horizontal

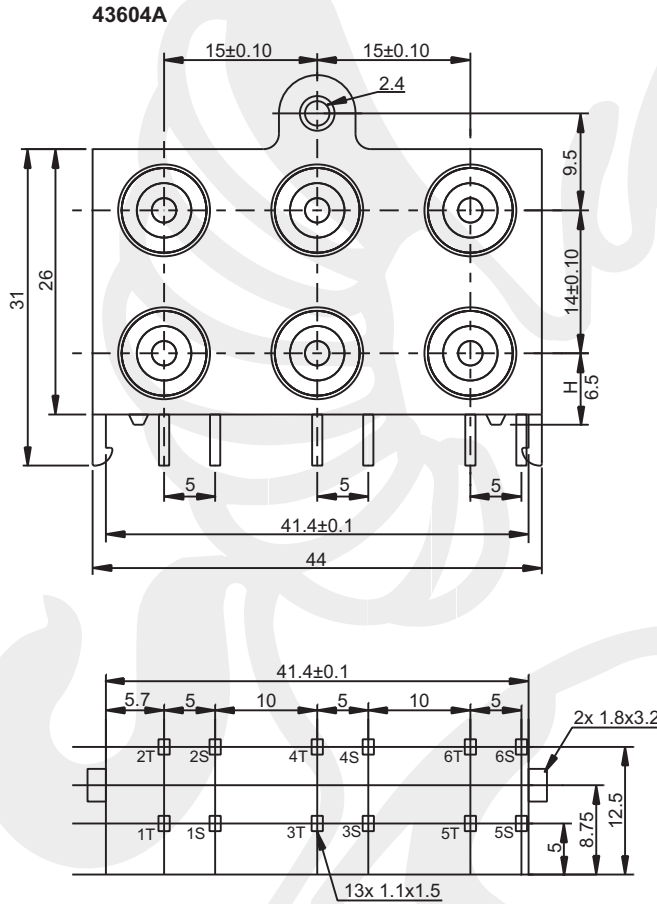
Material

Base, insulator: ABS
 Color washer: PBT + 15% glass fiber
 Contact break / needle: H65 Brass / QSn 6.5-0.1

Electrical

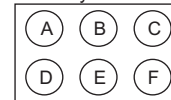
Rating: 0.2 Amp @ 50 VDC
 Contact resistance: 30 mΩ max.
 Insulator resistance: 100 MΩ min.
 Dielectrical withstanding: 500 VAC/minute
 Operating temperature: -40°C ~ +70°C
 Durability: 500 cycles

43604A

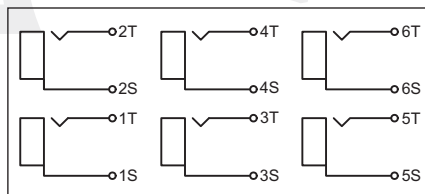


Recommended P.C.B. Layout

Color layout



Code	A D	B E	C F
01	green red	blue white	red black
02	green red	blue white	red orange
03	t.b.d. by customer		



Tolerances	
Linear	<6 ± 0.1 6-20 ± 0.2 >20 ± 0.3



All dim. in mm

43604 A

01

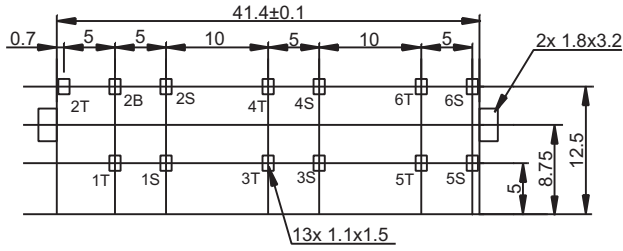
Series
 43604A
 43604B with switch
 43604C with switch

Color code
 see table

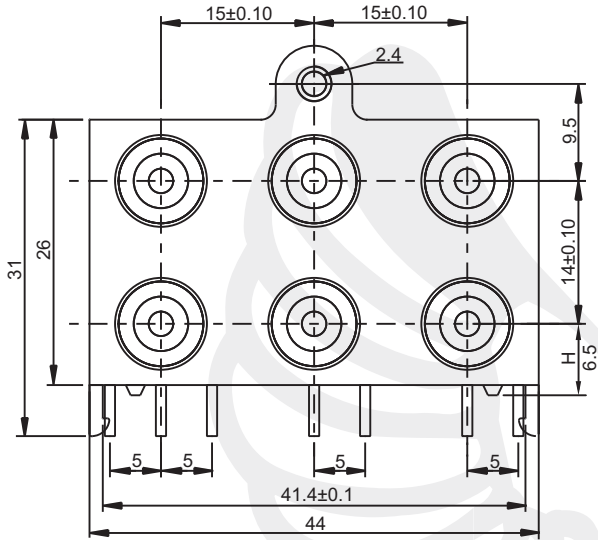
Packing
 Box

Series 43604 6x RCA Jack / Cinch Horizontal

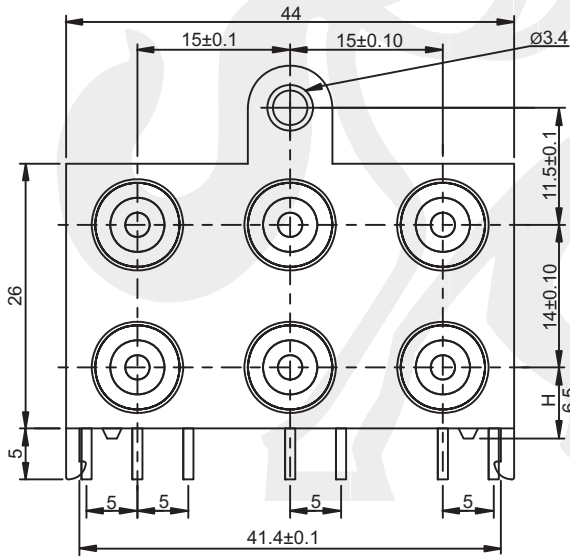
43604B



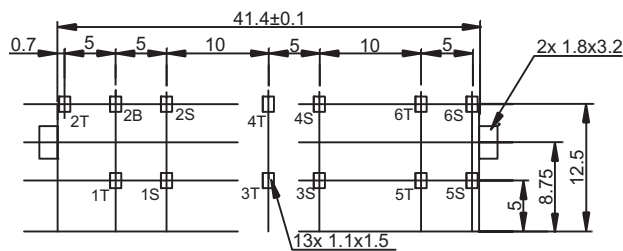
Recommended P.C.B. Layout



43604C



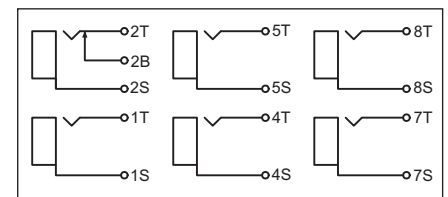
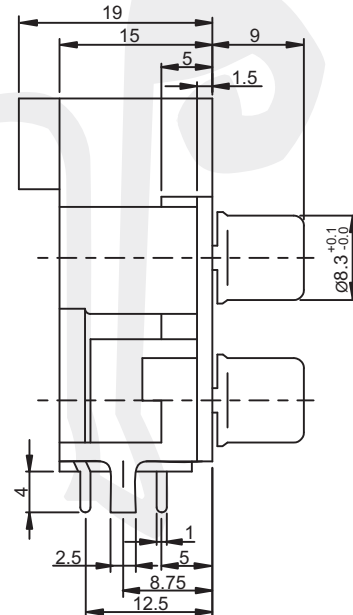
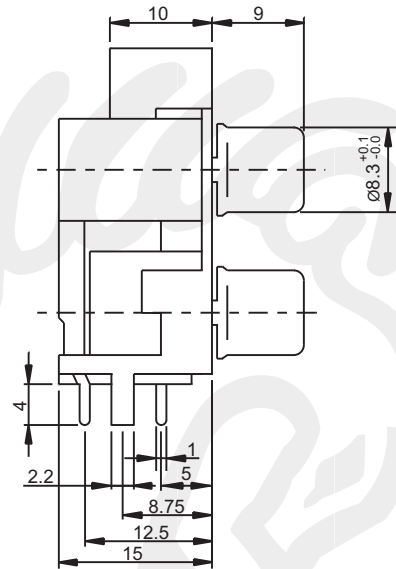
Recommended P.C.B. Layout



43604B



43604C



Tolerances	
Linear	<6 ± 0.1
	6-20 ± 0.2
	>20 ± 0.3



This document is protected by copyright law and international treaties. Reproduction except for personal use and distribution of this document will be prosecuted to the maximum extent possible under the law. Subject to changes without prior notice. Errors and omissions excepted. Copyright by NEXUS COMPONENTS GmbH

All dim. in mm