

Series 5118

Battery socket for L- Battery 1/2AA 3.6V

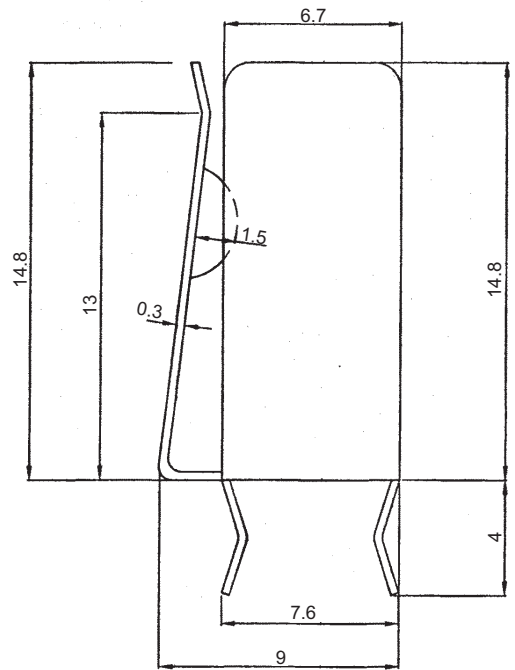
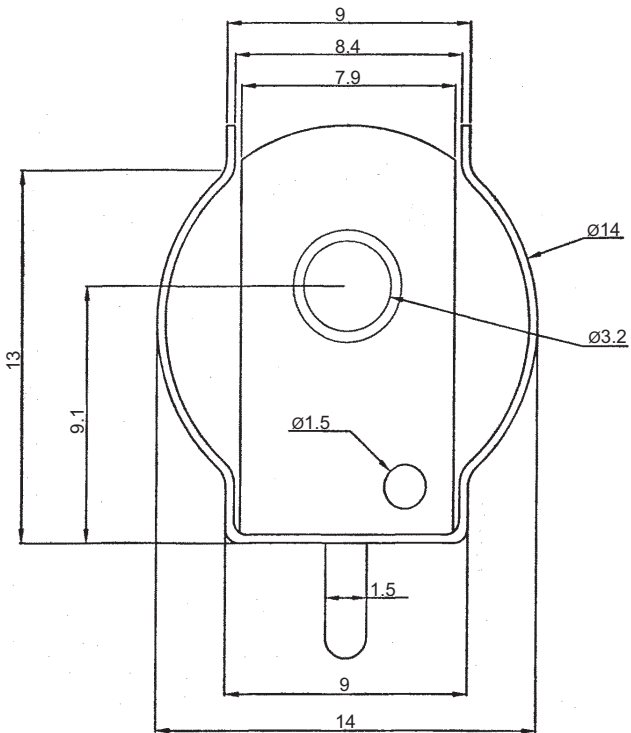
Material

Contact:

0.3mm steel

Plating:

Tin



All dim. in mm

Tolerances	
Linear	.X ± 0.30
	.XX ± 0.25
	.XXX ± 0.20



5118

T

Contact plating
T = tin