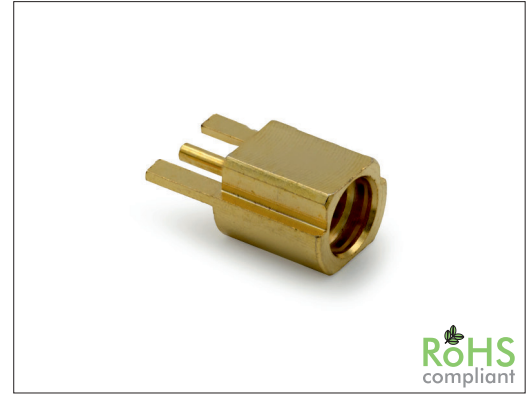


49708 Series

MMCX Jack Straight Board-In

General specifications

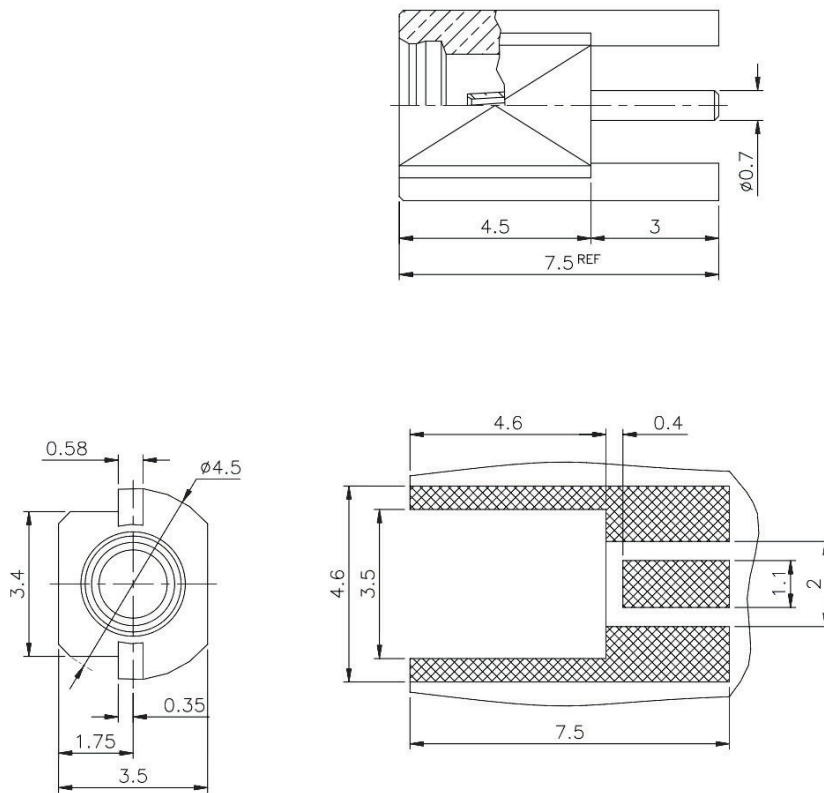
| | |
|---------------------------|--|
| Insulator material | Teflon |
| Center contact material | Beryllium copper, plating: gold |
| Body material | Brass, plating: gold |
| Impedance | 50 Ω |
| Frequency range | 0 to 6 GHz |
| Contact resistance | Center: 5 mΩ max. / outer: 2.5 mΩ max. |
| Insulator resistance | 1000 MΩ min. |
| Dielectrical withstanding | 500 VAC |
| Operation temperature | -65 C to +155 C |
| Durability | 500 cycles |
| | |
| | |



RoHS
compliant

Mechanical dimensions

Unit: mm



| Tolerances | |
|------------|---------------|
| Linear | <6 ± 0.2 |
| | 6 to 30 ± 0.4 |
| | >30 ± 0.6 |

Part numbering guide

49708

Series

* standard

