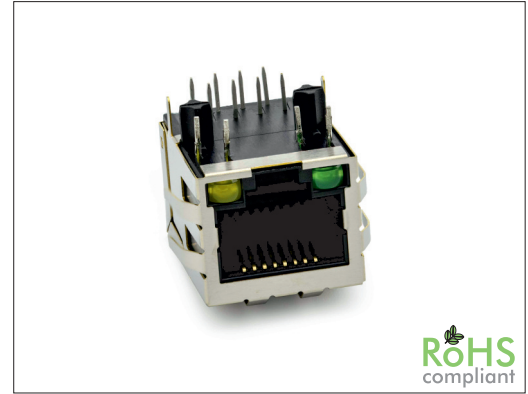


68300 Series RJ45 10/100 BASE-T w/ LED

General specifications

Insulator material	High temperature plastic, UL94V-0, color: black
Contact material	Copper alloy, plating: gold over nickel
Shield material	Brass, plating: nickel
Insulator resistance	1000 M Ω min.
Dielectrical withstanding	1500 VAC for 1 min
Durability	750 cycles
Operation temperature	0 °C to +70 °C
Complies with	IEEE 802.3, ANSI X3.263
Soldering	Lead free wave soldering process

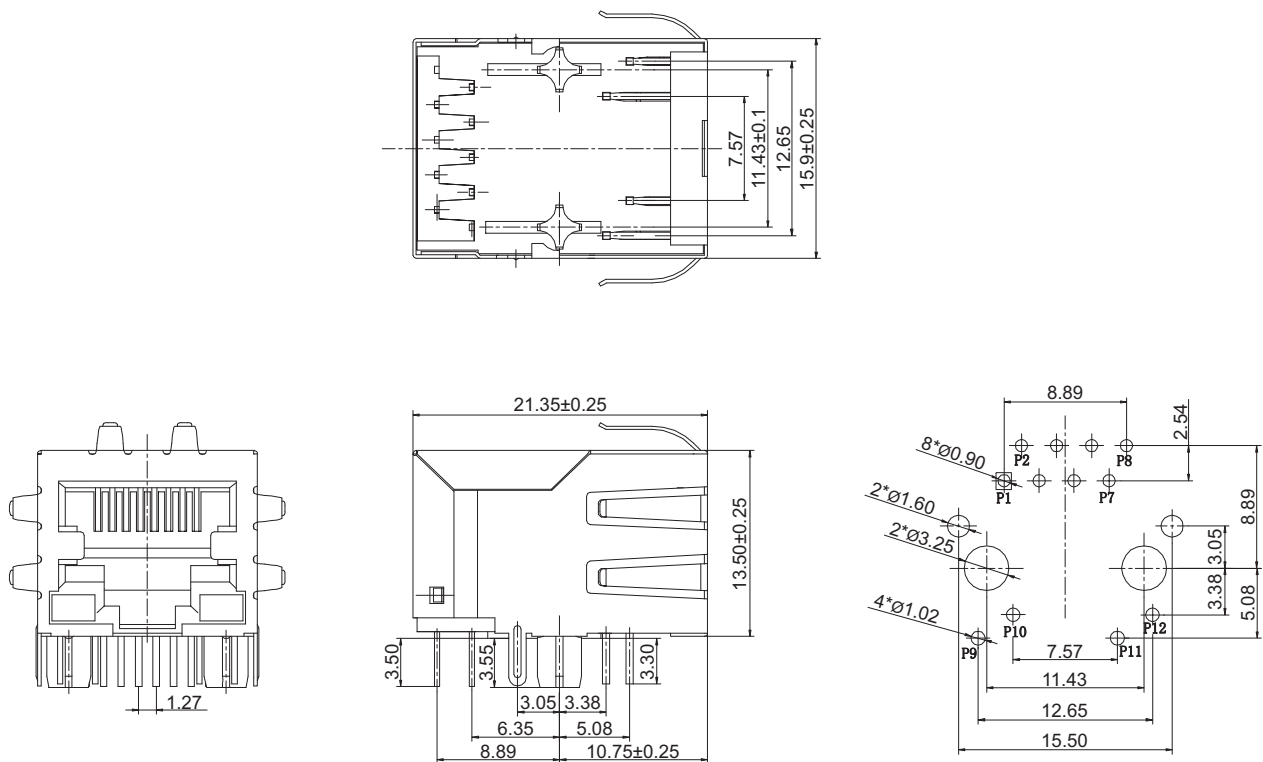
Mating parts series



RoHS
compliant

Mechanical dimensions

Unit: mm



Recommended P.C.B. layout

Tolerances		
Linear	X	± 0.20
	.XX	± 0.15
	.XXX	± 0.10

LED specification			
Standard LED	Wavelength	Forward V(max)	Typ
green	565 nm	2.4 V	2.2 V
yellow	590 nm	2.5 V	2.1 V

continued on page 2

Part numbering guide

68300	C	06	N	N	0
Series	Contact plating C = 3 μ " gold D = 6 μ " gold F = 15 μ " gold J = 30 μ " gold	Schematics see page 2	Color LED1 N = w/o LED G = Green Y = Yellow	Color LED2	Ground spring 0 = w/o spring 1 = Top spring 2 = Side spring 3 = Top and side spring

* standard

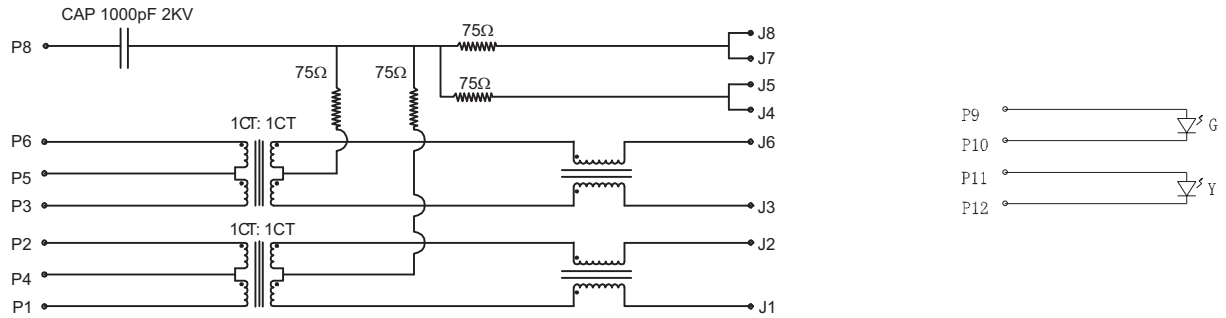


Mechanical dimensions

Unit: mm

Note: other schematics and LED polarity on customer request

Schematics: 06



Turns ratio	Inductance	DC resistance	Insertion loss		Return loss			Cross talk	Common mode
			1 - 100 MHz	1 - 30 MHz	30 - 60 MHz	60 - 80 MHz	1 - 100 MHz	1 - 100 MHz	
1:1	350 μ H min. @ 0.1 V, 100 KHz, 8 mA DC Bias	1.2 Ω max.	-1.2 dB max.	-18 dB min.	$-(18-20\log(f/30))$ dB min. (f in MHz)	-12 dB min.	-30 dB min.	-30 dB min.	

Tolerances	
Linear	X \pm 0.20
	.XX \pm 0.15
	.XXX \pm 0.10

