

# Series 5107

## Battery Holder vertical for CR2032

### Material

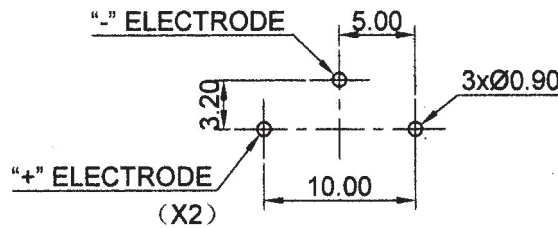
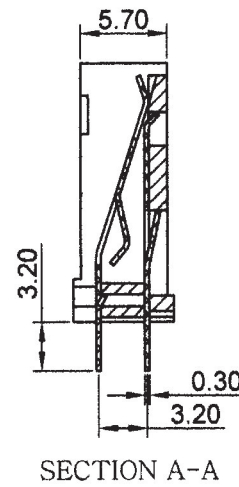
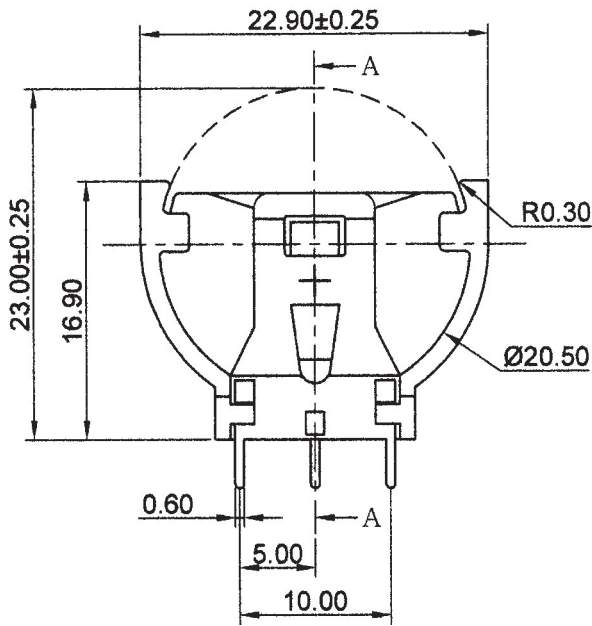
Insulator: Nylon-66 with 15% glass fiber, UL94V-0  
 Contact: Phosphor bronze  
 Plating: Tin over nickel

### Electrical

Current Rating: 2.0 Amp  
 Voltage Rating: 500VAC  
 Contact resistance: 30 mΩ max.  
 Insulator resistance: 1000 MΩ min.  
 Operating temperature: -55°C ~ +105°C

### Soldering

Lead free wave soldering process



PCB MOUNTING LAYOUT

| Tolerances |             |
|------------|-------------|
| Linear     | .X ± 0.30   |
|            | .XX ± 0.20  |
|            | .XXX ± 0.10 |



All dim. in mm

**5107S** — **T**

Serie 5107  
 S = straight

Contact plating  
 T = tin