

# 3815 Series

# Dual USB 3.0 A-Type Socket

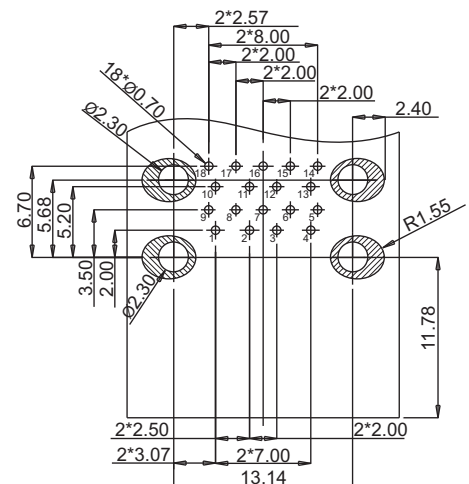
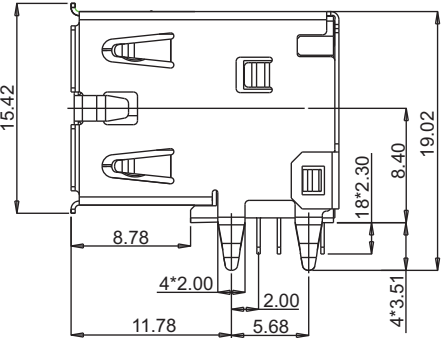
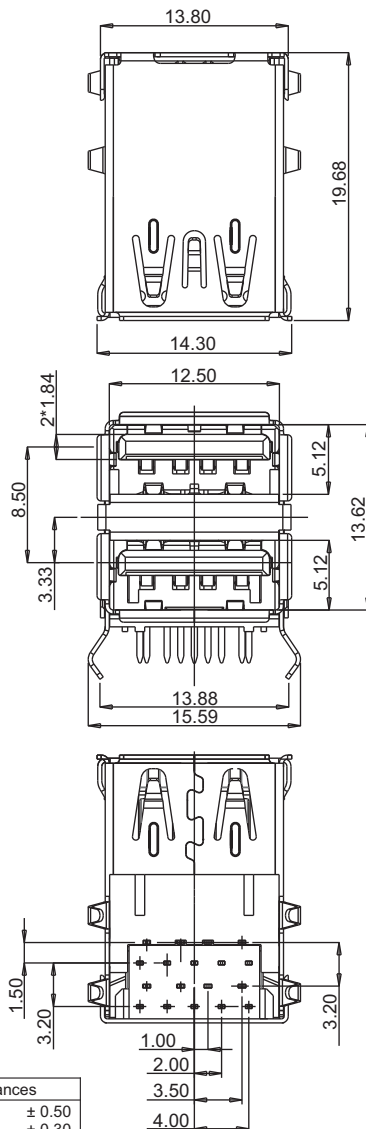
## General specifications

Insulator material	High temperature thermoplastic, UL94V-0, color: blue
Contact material	Copper alloy
Current rating	1.8 A @ VBUS, GND, 0.25 A @ other pins
Contact resistance	30 mΩ max. @ VBUS, GND, 50 mΩ max. @ others pins
Insulator resistance	100 MΩ min.
Dielectrical withstanding	100 VAC for 1 min
Operating temperature	-55 °C to +85 °C
Durability	5000 cycles min
Soldering	Lead free wave soldering process
<b>Mating parts series</b>	



## Mechanical dimensions

Unit: mm

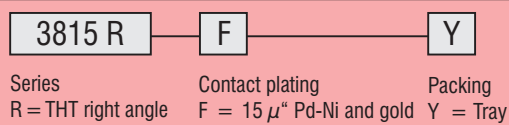


Recommended P.C.B. layout

Pin assignment	
Pin number	Signal name
1/10	VBUS
2/11	D-
3/12	D+
4/13	GND
5/14	SSRX-
6/15	SSRX+
7/16	GND_DRAIN
8/17	SSTX-
9/18	SSTX+
Shell	Shield

Tolerances		
Linear	X	± 0.50
	.X	± 0.30
	.XX	± 0.20

## Part numbering guide



\* standard

