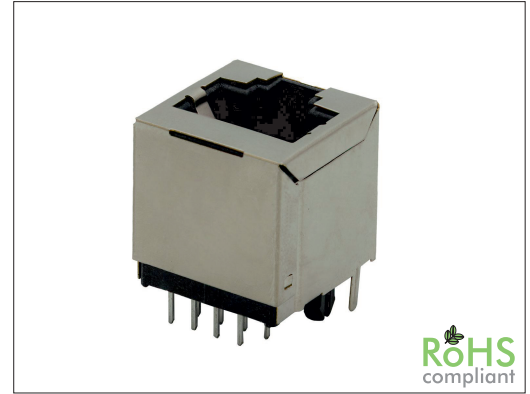


64122 Series RJ45 8P Top Entry Shielded

General specifications

Insulator material	High temperature thermoplastic, UL94V-0, color: black
Contact material	Phosphor bronze, plating: gold over nickel
Current rating	1.5 A
Voltage rating	125 VAC
Contact resistance	30 mΩ max.
Insulator resistance	1000 MΩ min. @ 500 VDC
Dielectrical withstandig	1000 VAC for 1 min
Operating temperature	-40 °C to +85 °C
Soldering	JEDEC lead free wave soldering process
Durability	750 cycles

Mating parts series

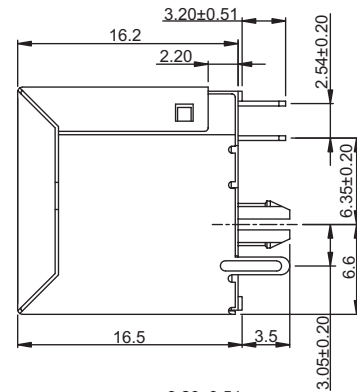
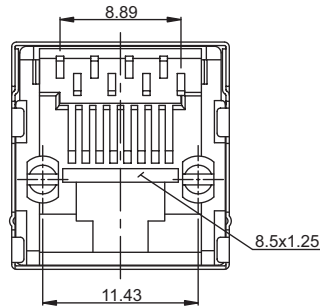
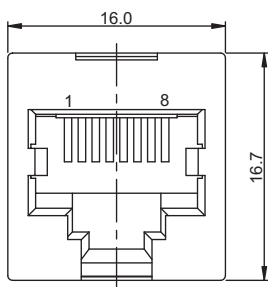


RoHS
compliant

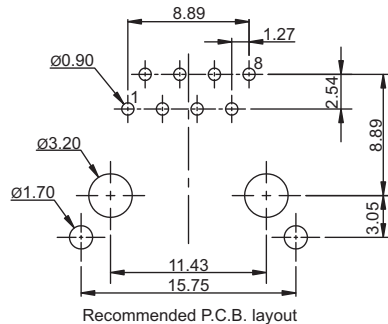
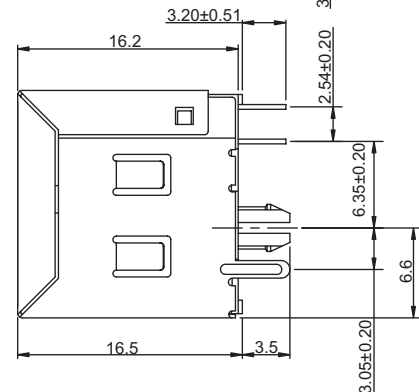
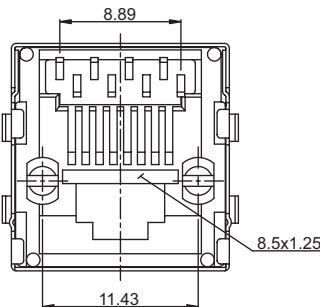
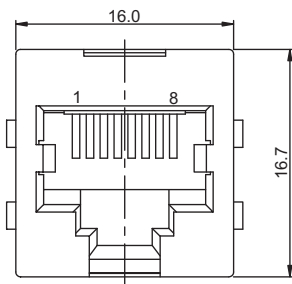
Mechanical dimensions

Unit: mm

w/o Spring



w/ Side spring



Tolerances

Linear	X	± 0.25
	.XX	± 0.15

Part numbering guide

64122

C

0

Series
RJ45 8P

Contact plating

C = 3 μ" gold J = 30 μ" gold
D = 6 μ" gold K = 50 μ" gold
F = 15 μ" gold

Ground spring

0 = w/o spring
2 = side spring

* standard

