

# 65237 Series SMT RJ45 10P Side Entry Shielded

## General specifications

Insulator material	High temperature plastic, UL94V-0, color: black
Contact material	Phosphor bronze
Current rating	1 A
Voltage rating	125 VAC
Contact resistance	50 mΩ max.
Insulator resistance	200 MΩ min.
Dielectrical withstanding	1000 VAC for 1 min
Operating temperature	-40 °C to +85 °C
Soldering	JEDEC lead free reflow soldering process
Durability	750 cycles

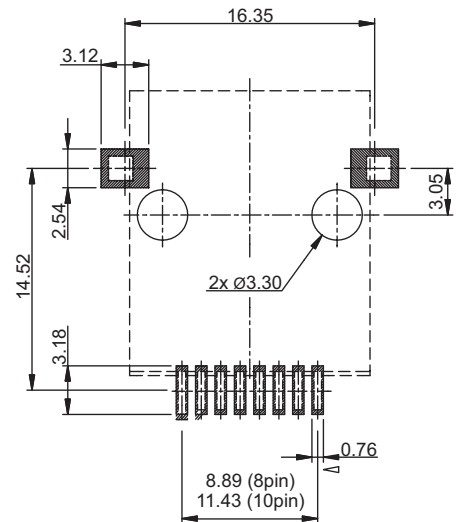
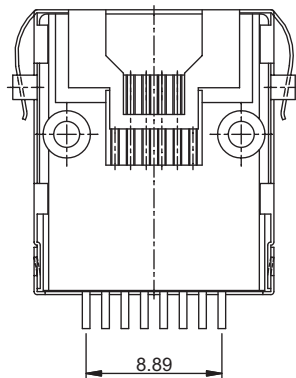
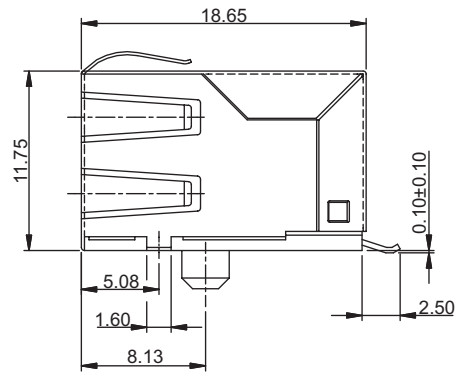
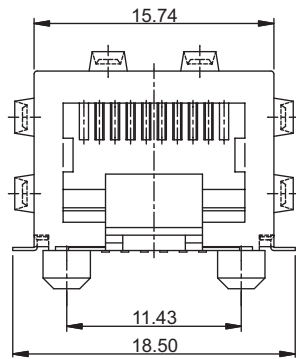
## Mating parts series



RoHS  
compliant

## Mechanical dimensions

Unit: mm



Recommended  
P.C.B. layout

### Tolerances

Linear	X	± 0.38
	.XX	± 0.25
	.XXX	± 0.10

## Part numbering guide

65237

C

8

0

Series

Contact plating

C = 3 μ" gold K = 50 μ" gold

D = 6 μ" gold

F = 15 μ" gold

J = 30 μ" gold

No. of contacts

8 = 8

1 = 10

Ground springs

0 = w/o springs

3 = w/ top and side springs

\* standard

