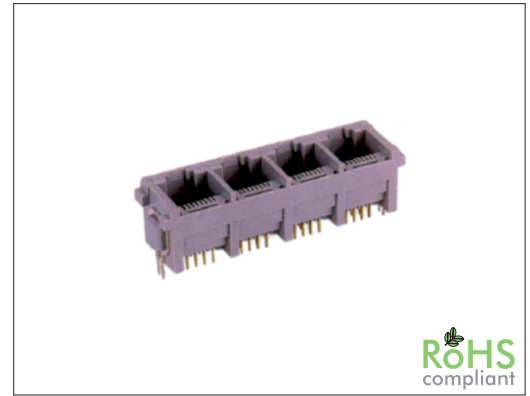


6451X Series Multiport RJ45 8P Top Entry

General specifications

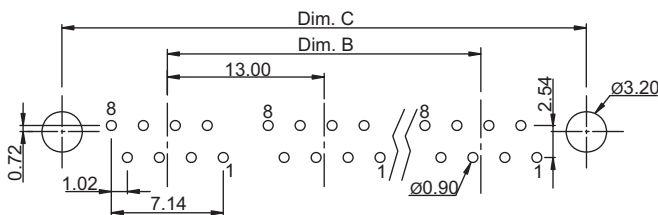
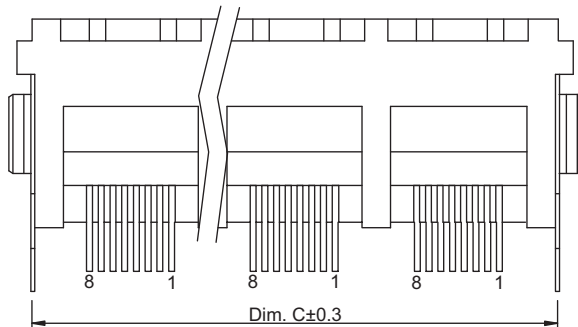
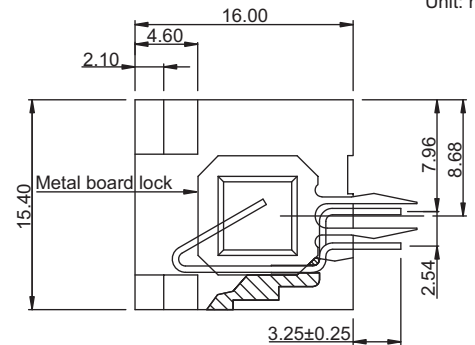
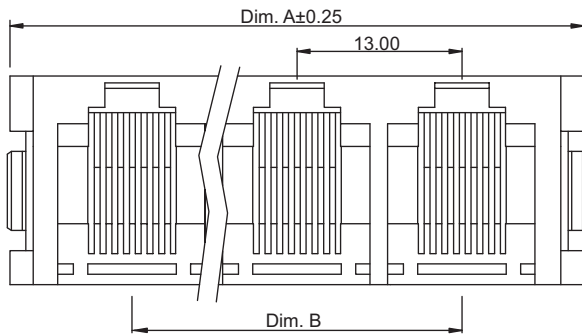
Insulator material	PBT w/ glass fiber , UL94V-0, color: grey
Contact material	Phosphor bronze
Current rating	1.0 A
Voltage rating	150 VAC
Contact resistance	50 mΩ max.
Insulator resistance	200 MΩ min.
Dielectrical withstanding	1000 VAC for 1 min
Operating temperature	-40 °C to +85 °C
Soldering	Lead free wave soldering process
Durability	750 cycles

Mating parts series



Mechanical dimensions

Unit: mm

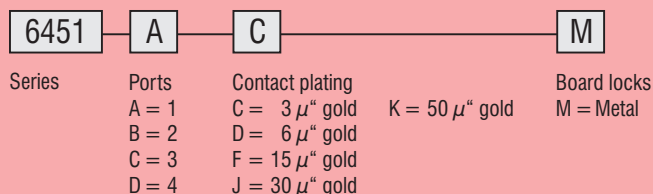


Recommended P.C.B. layout

Ports	Dim. A	Dim. B	Dim. C
1	19.28	-	16.00
2	32.28	13.00	29.00
3	45.28	26.00	42.00
4	58.28	39.00	55.00

Tolerances		
Linear	X	± 0.25
	.XX	± 0.13
	.XXX	± 0.05

Part numbering guide



* standard

