

6797X Series RJ45 Multiport 8P Side Entry w/ LED

General specifications

Insulator material	High temperature thermoplastic, UL94V-0, color: black
Contact material	Phosphor bronze, plating: gold over nickel
Current rating	1.5 A
Voltage rating	125 VAC
Contact resistance	35 mΩ max.
Insulator resistance	1000 MΩ min. @ 500 VDC
Dielectrical withstandig	1000 VAC for 1 min
Operating temperature	-40 °C to +85 °C
Soldering	Lead free wave soldering process
Durability	750 cycles

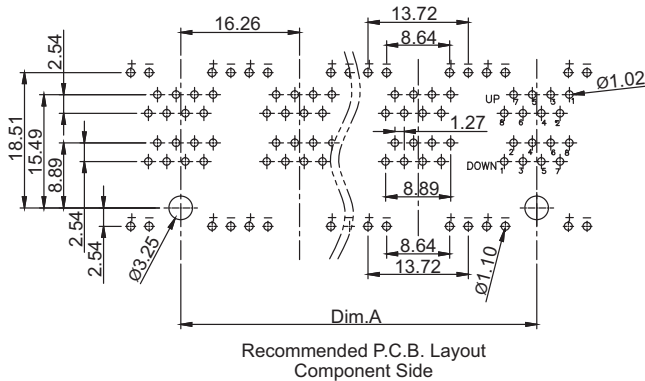
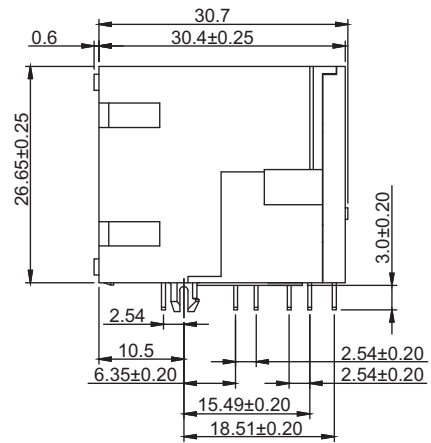
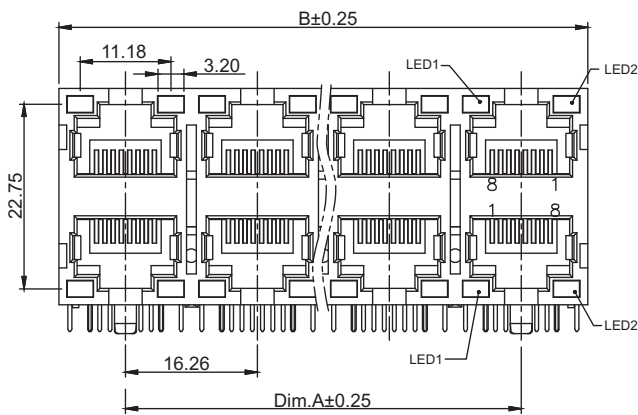
Mating parts series



RoHS
compliant

Mechanical dimensions

Unit: mm



Ports	Dim.A	Dim.B
2x2	16.26	32.69
2x3	32.52	48.95
2x4	48.78	65.21
2x5	65.04	81.47
2x6	81.30	97.73
2x8	113.82	130.25

Tolerances

Linear	X	± 0.20
	.XX	± 0.15
	.XXX	± 0.10

Part numbering guide

6797	B	C	G	Y
Series	Ports B = 2x2 H = 2x8 C = 2x3 D = 2x4 F = 2x6	Contact plating C = 3 μ" gold K = 50 μ" gold D = 6 μ" gold F = 15 μ" gold J = 50 μ" gold	Color LED1 D = Green/Yellow G = Green R = Red Y = Yellow	Color LED2

* standard

