

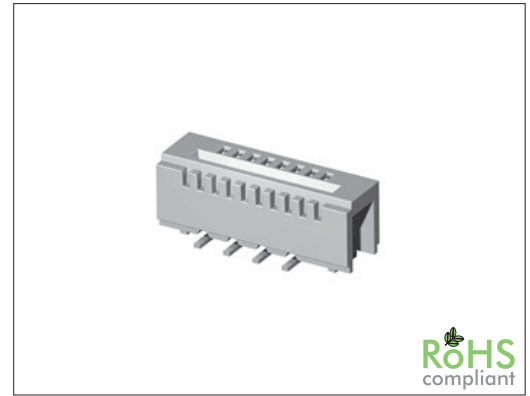
2988 Series

1.00 mm SMT FPC Socket Vertical

General specifications

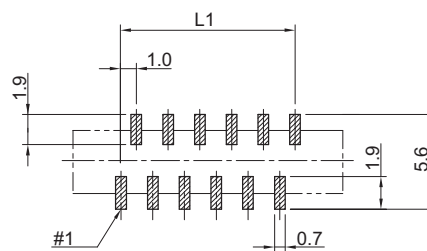
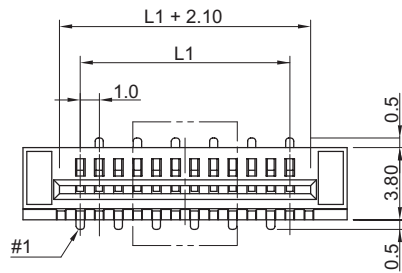
Insulator material	Nylon-6T, UL94V-0, color: nature
Contact material	Phosphor bronze
Current rating	0.5 A
Voltage rating	100 V AC/DC
Contact resistance	30 mΩ max.
Insulator resistance	500 MΩ min.
Dielectrical withstanding	500 VAC for 1 min
Operating temperature	-25 °C to +85 °C
Soldering	JEDEC lead free reflow soldering process

Mating parts series

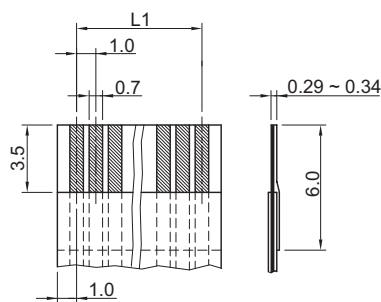
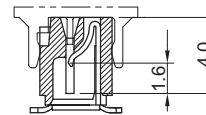
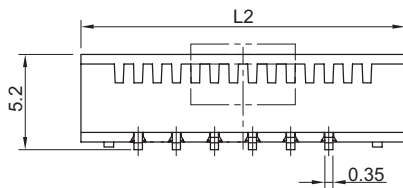


Mechanical dimensions

Unit: mm



Recommended P.C.B. layout



Accommodated FFC/FPC

$$L1 = (\text{No. of contacts} - 1) \times 1.00$$

$$L2 = \text{No. of contacts} \times 1.00 + 5.00$$

Tolerances

Linear	X	± 0.15
	.XX	± 0.10
	.XXX	± 0.05

Part numbering guide

2988 V

04

T

R

Series
V = SMT vertical

No. of contacts
04 to 32

Contact plating
T = Tin
B = Flashgold

Packing
R = Reel
T = Tube

* standard

