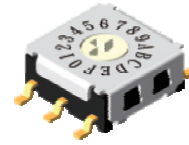


SW-R7M Series SMT Rotary Switch 7 x 7 mm

General specifications

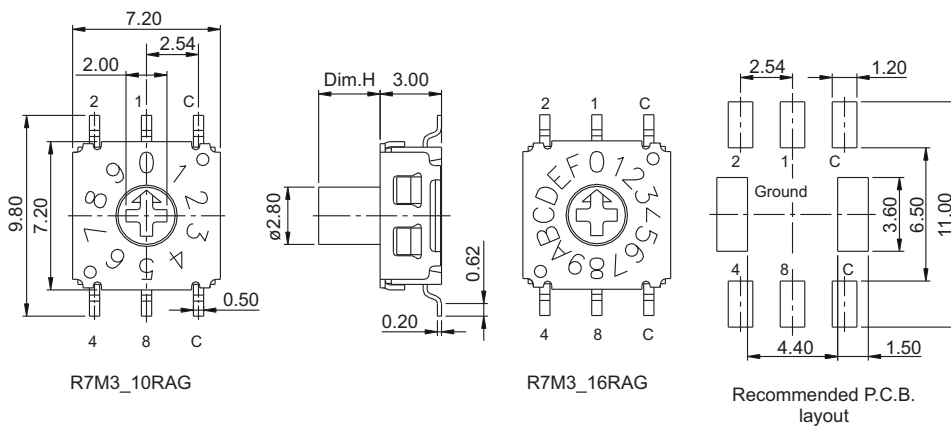
Housing material	High temperature plastic, UL94V-0, color: black
Actuator material	High temperature plastic, UL94V-0, color: white
Contact material	Copper alloy, plating: gold
Current rating	25 mA
Voltage rating	24 VDC
Contact resistance	100 mΩ max.
Insulator resistance	100 MΩ min. @ 100 VDC
Dielectrical withstanding	250 VAC for 1 min
Operating temperature	-30 °C to +80 °C
Operating force	200 gf max.
Durability	10000 cycles
Soldering	JEDEC lead free reflow soldering process



Mechanical dimensions

Unit: mm

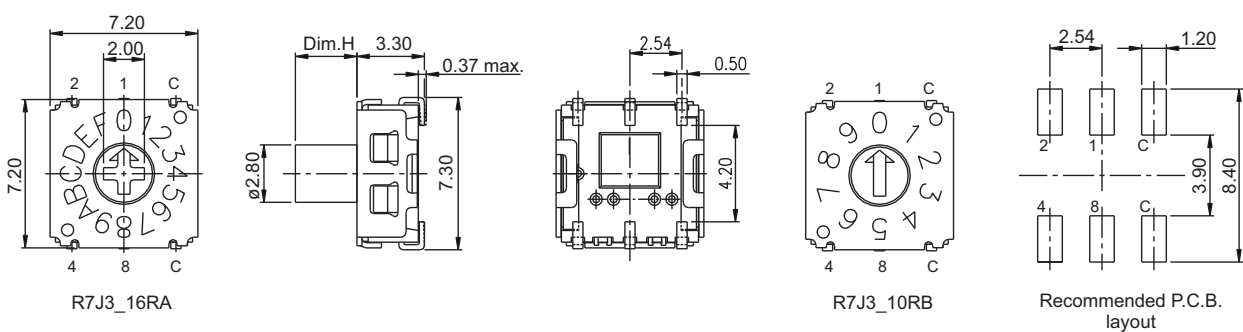
R7M



		Coding table			
Type	Position	1	2	4	8
10R 16R	0	●	●	●	●
	1	○	●	●	●
	2	●	○	●	●
	3	○	○	●	●
	4	●	●	○	●
	5	○	●	○	●
	6	●	○	○	●
	7	○	○	○	●
	8	●	●	●	○
	9	○	●	●	○
16R	A	●	○	●	○
	B	○	○	●	○
	C	●	●	○	○
	D	○	●	○	○
	E	●	○	○	○
	F	○	○	○	○

○ ON ● OFF

R7J (J type smt pins)



Tolerances	
Linear	± 0.20

Part numbering guide

SW-R7M	3	H	10	R	A	G	V	B
Series	Solder pins	Actuator length Dim.H	Steps	Code no. printing	Actuator notch	Ground terminal	Material	Packing
SW-R7M = SMT	3 = 3+3	H = 3.0 mm	10 = 10	R = Real codes	A = Cross head	G = for R7M	V = Lead free	B = Tube
SW-R7J = J-type smt pins		(leave empty for recessed actuator H=0)	16 = 16		B = Arrow head	(leave empty for R7J)	Q = Halogen free	TR = Reel

* standard

