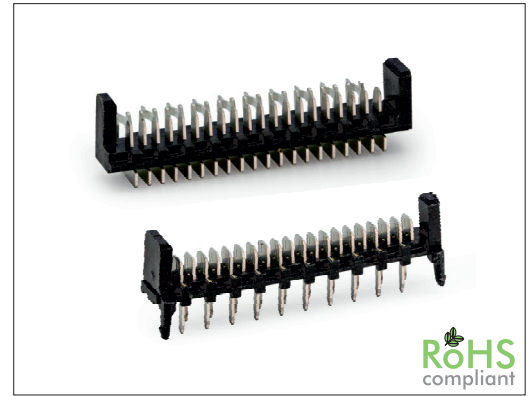


General specifications

Insulator material	Nylon-6T w/ glass fiber, UL94V-0, color: black
Contact material	Brass
Current rating	1.2 A
Contact resistance	15 mΩ max.
Insulator resistance	1000 MΩ min.
Dielectrical withstanding	750 VAC for 1 min
Operating temperature	-40 °C to +105 °C
Soldering	Lead free wave soldering process

Mating parts series

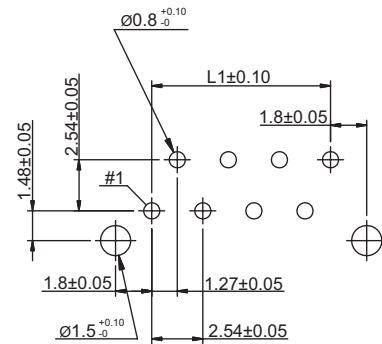
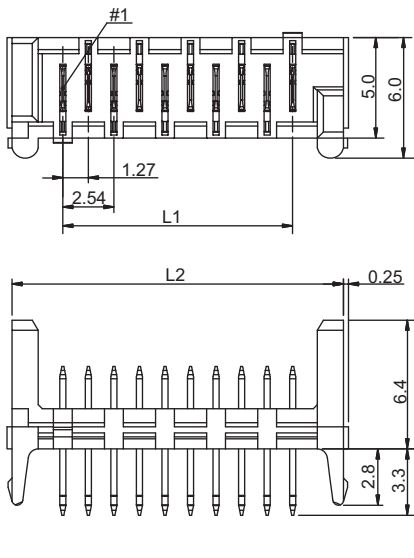
2283-IP or cable assembly



Mechanical dimensions

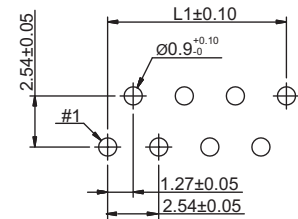
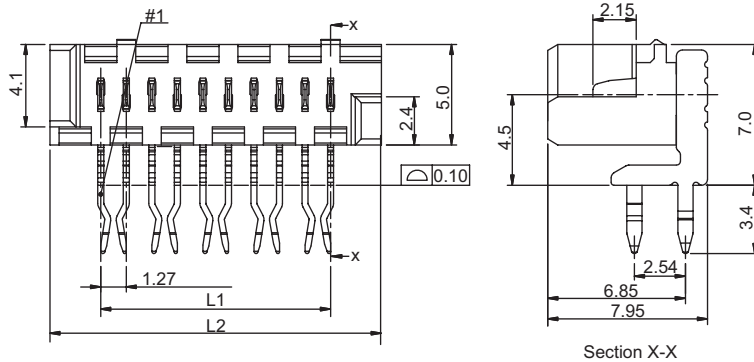
Unit: mm

2283S



Recommended P.C.B. layout

2283R



Recommended P.C.B. layout

Tolerances		
Linear	X	± 0.30
	XX	± 0.20
	XXX	± 0.10

L1 = (No. of contacts-1)×1.27

L2 = L1+5.05

Part numbering guide

2283 S

04

T

Series
S = THT straight
R = THT right angle

No. of contacts
04 to 26

Contact plating
T = Tin
other plating on request

* standard

