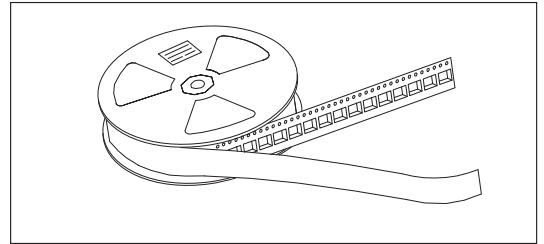


1151 Series

1.27 x 1.27 mm SMT Pin Header

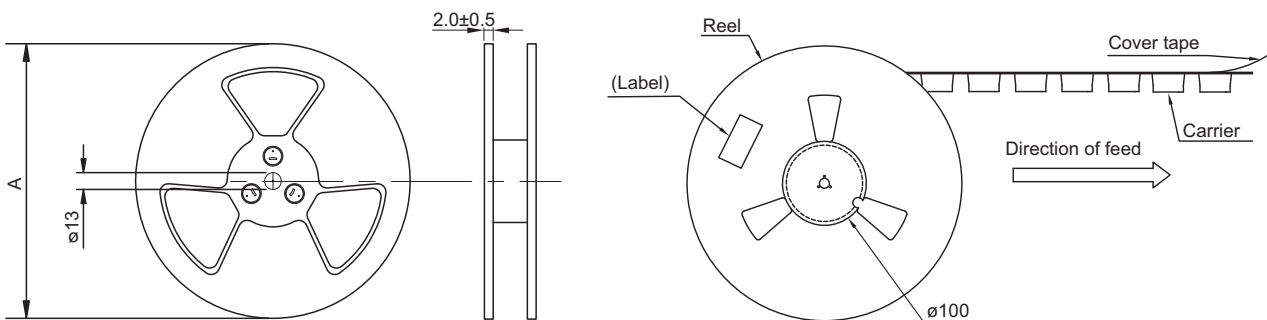
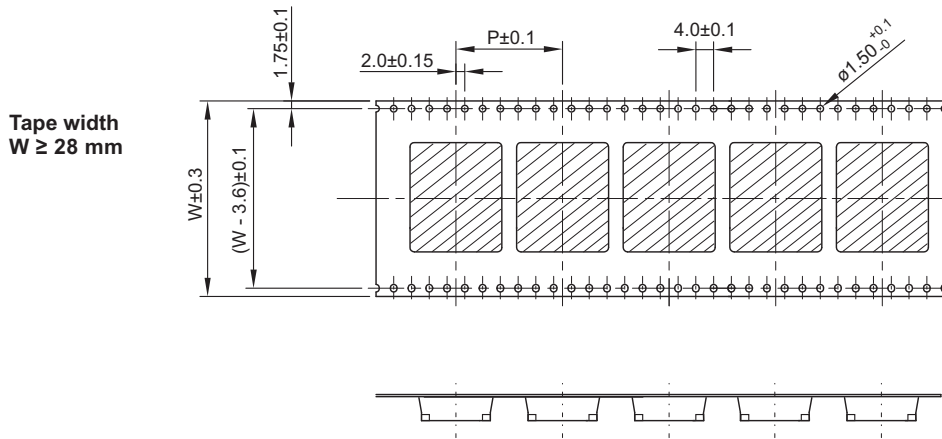
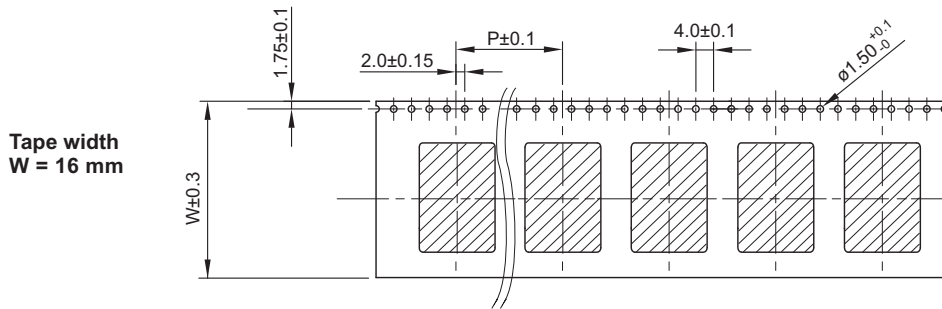
Materials

Carrier	PS tape, thickness: 0.50 mm
Cover tape	Transparent PE tape, thickness: 0.045 to 0.120 mm
Reel	Plastic wheel



Reel and tape dimensions

Unit: mm



Reel and tape dimensions				
No of contacts	A	W	P	Qty.
02 to 05	330	16	16	1100
06 to 11	330	t.b.d.	16	1100
12 to 17	330	t.b.d.	16	1100
18 to 24	330	44	16	1100

