

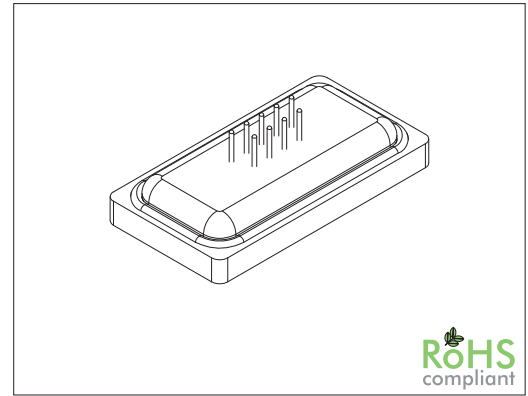
3038 Series

D-Sub Male Waterproof

General specifications

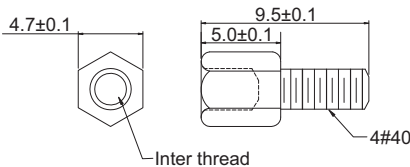
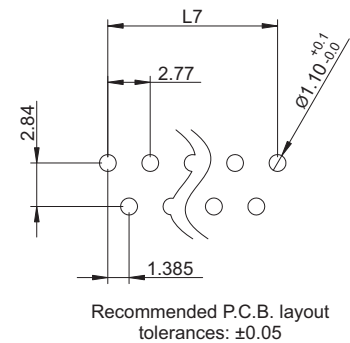
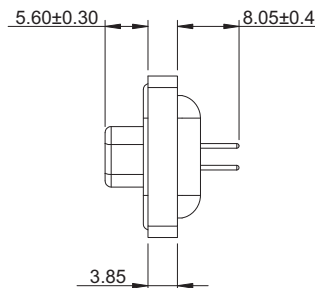
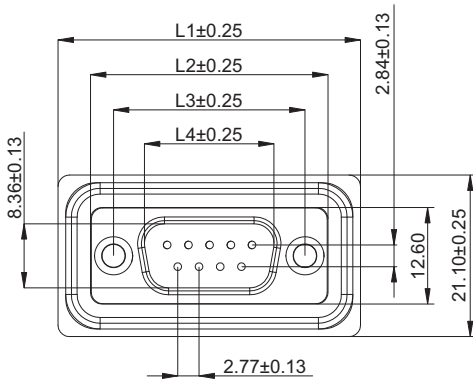
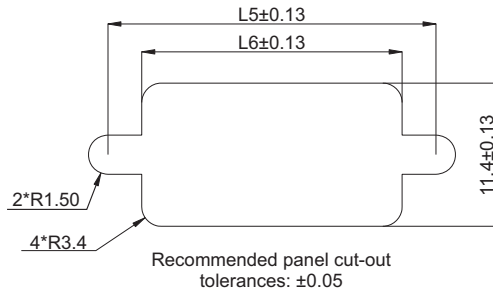
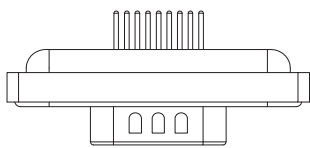
| | |
|---------------------------|--------------------------------------|
| Insulator material | Thermoplastic, UL94V-0, color: black |
| Contact material | Copper alloy |
| Shell material | Steel |
| Waterproof ring / glue | Silicone / epoxy-resin |
| Current / voltage rating | 3 A / 250 VAC |
| Contact resistance | 15 mΩ min. @ 500 VDA |
| Dielectrical withstanding | 1000 VAC for 1 min |
| Operating temperature | -55 °C to +105 °C |
| Waterproof rate | IP 67 |
| Soldering | Lead free wave soldering process |

Mating parts series



Mechanical dimensions

Unit: mm



| Tolerances | |
|------------|-------------|
| Linear | .XX ± 0.30 |
| | .XXX ± 0.20 |

| Contacts | L1 | L2 | L3 | L4 | L5 | L6 | L7 |
|----------|-------|-------|-------|-------|-------|-------|-------|
| 09 | 39.50 | 31.00 | 25.00 | 16.90 | 25.00 | 20.50 | 11.08 |
| 15 | 48.00 | 39.30 | 33.32 | 25.20 | 33.30 | 28.80 | 19.39 |
| 25 | 61.50 | 53.20 | 47.04 | 38.90 | 47.00 | 42.50 | 33.24 |
| 37 | 77.80 | 69.50 | 63.50 | 55.40 | 63.50 | 59.10 | 49.86 |

Part numbering guide

3038 M — **09** — **B** — **1**

Series
M = Male

No. of contacts
09, 15, 25, 37

Contact plating
B = Flashgold

Mounting type
1 = w/ fixed hex-rit (M3)
2 = w/ fixed hex-rit (4#40)
3 = w/ fixed hex-rit (4#40)
and screw 5 x 9.5 mm

* standard

