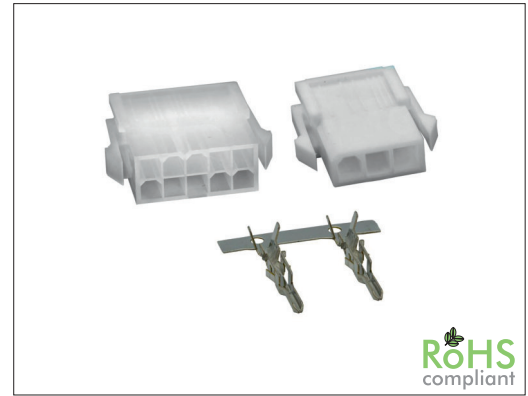


2424 Series

4.20 mm MF Housing Panel Mount and Terminal

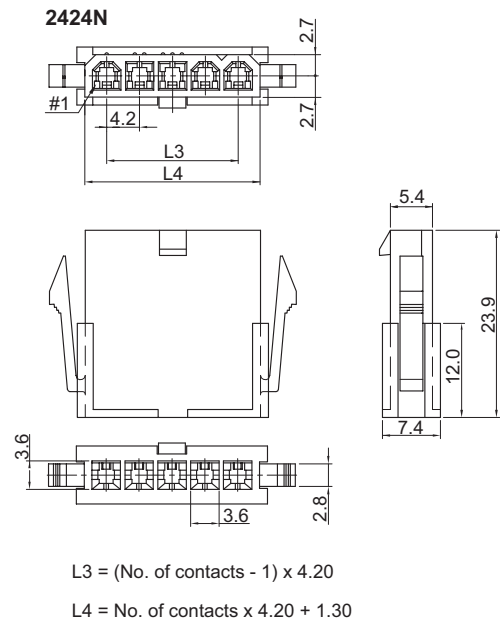
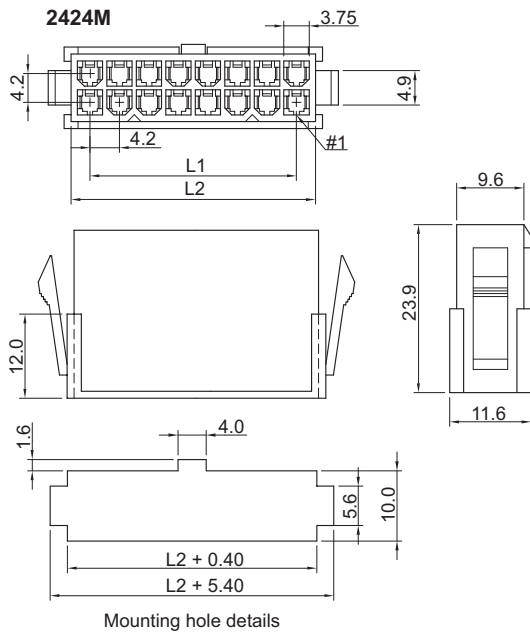
General specifications

Insulator material	Nylon 66
Contact material	Brass or phosphor bronze (see table on page 2)
Current rating	(see table on page 2)
Voltage rating	600 V AC/DC
Contact resistance	10 mΩ max.
Insulator resistance	1000 MΩ min.
Dielectrical withstanding	1500 VAC for 1 min
Operating temperature	UL94V-0: -40 °C to +105 °C, UL94V-2: -25 °C to +85 °C
Mating parts series	
2424-M mates w/ 2424-PD and 2424-PM, 2424-N mates w/ 2424-PS	



Mechanical dimensions

Unit: mm



$$L1 = \left(\frac{\text{No. of contacts}}{2} - 1 \right) \times 4.20 \quad (4 \sim 24\text{Pin})$$

$$L2 = \left(\frac{\text{No. of contacts}}{2} \right) \times 4.20 + 1.50$$

Tolerances		
Linear	X	± 0.38
	.XX	± 0.25

continued on page 2

Part numbering guide

2424 M	02	W	
Series M = Housing 2-row N = Housing 1-row	No. of contacts 2-row: 02 to 24 1-row: 03 to 05	Mounting flanges W = w/ flanges N = w/o flanges	Material option V2 = UL94V-2, color: nature leave blank for UL94C-0, color: white

* standard



