

49740 Series MMCX Plug Straight

General specifications

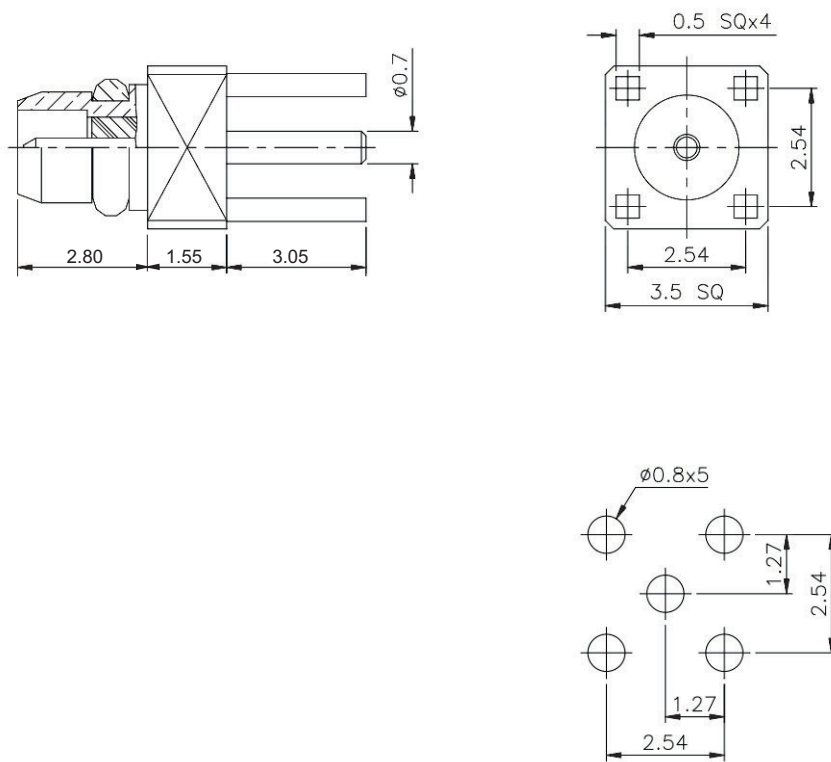
Insulator material	Teflon
Center contact material	Brass, plating: gold
Body material	Brass, plating: gold
Impedance	50 Ω
Frequency range	0 to 6 GHz
Contact resistance	Center: 5 mΩ max. / outer: 2.5 mΩ max.
Insulator resistance	1000 MΩ min.
Dielectrical withstanding	500 VAC
Operation temperature	-65 C to +155 C
Durability	500 cycles



RoHS
compliant

Mechanical dimensions

Unit: mm



Recommended P.C.B. layout

Tolerances

Linear	<6	± 0.2
	6 to 30	± 0.4
	>30	± 0.6

Part numbering guide

49740

Series

* standard

