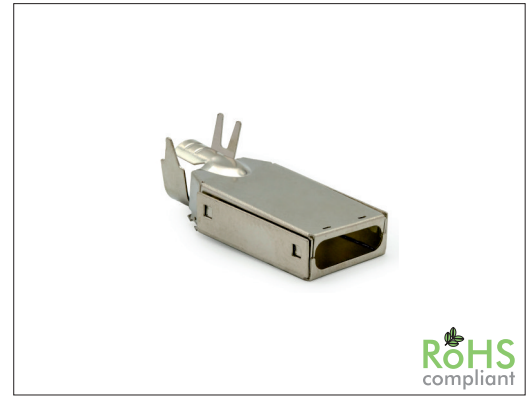


# 3839 Series

# USB C-Type 22 Pin Shell for Plug

### General specifications

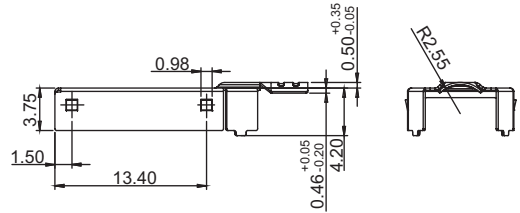
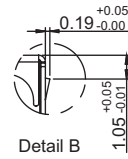
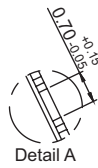
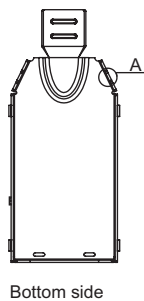
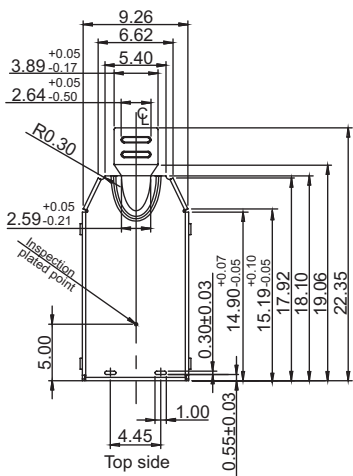
Insulator material	SPCC, T = 0.20 mm
Plating	80 μm to 160 μm nickel
<b>Mating parts series</b>	



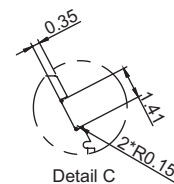
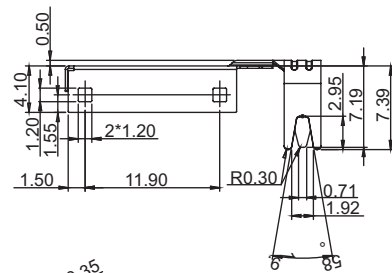
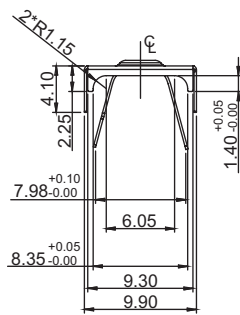
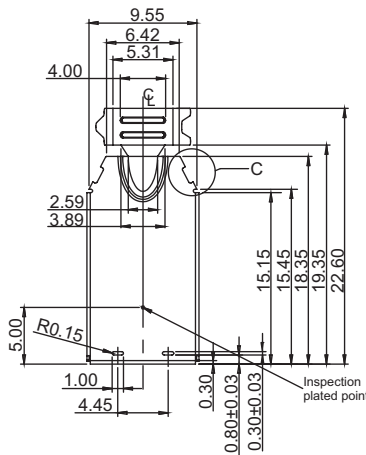
### Mechanical dimensions

Unit: mm

#### Bottom shell (long type)



#### Top shell (long type)



Tolerances		
Linear	X	± 0.30
	.XX	± 0.20

### Part numbering guide

**3839 SP** ————— **1**

Series  
SP = Shell for plug 3839P

Shell option  
1 = Long type  
2 = Short type

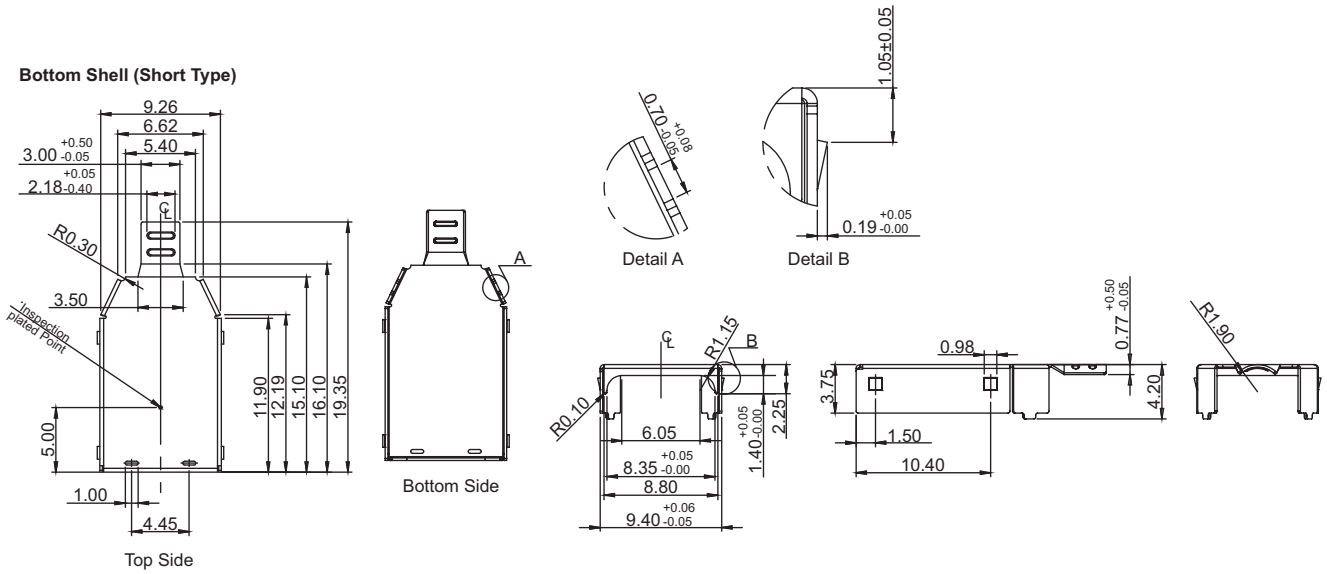
\* standard



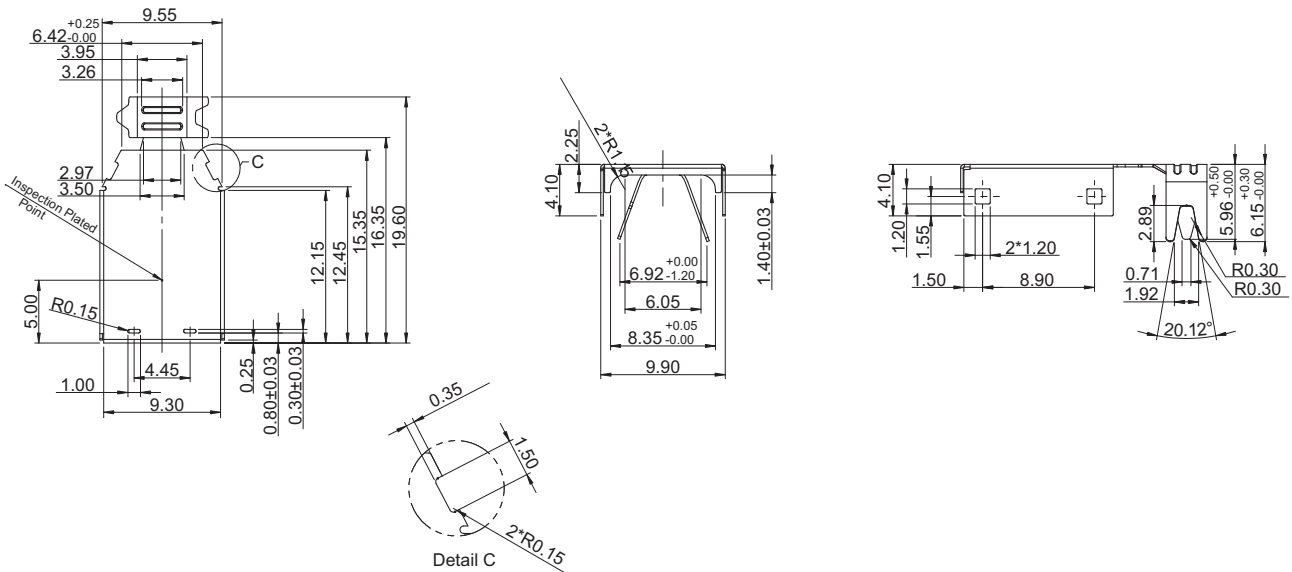
## Mechanical dimensions

Unit: mm

### Bottom Shell (Short Type)



### Top Shell (Short Type)



Tolerances		
Linear	X	± 0.30
	.XX	± 0.20

