

# 3809 Series

# Micro USB 5 Pin SMT Plug 90°

## General specifications

Insulator material	UL94V-0
Contact material	plating: gold
Current rating	1 A max.
Voltage rating	30 VAC max.
Contact resistance	30 mΩ max.
Insulator resistance	100 MΩ min. @ 500 VDC
Dielectrical withstanding	100 VAC for 1 min
Operating temperature	-20 °C to +80 °C
Durability	5000 cycles
Soldering	JEDEC lead free reflow soldering process

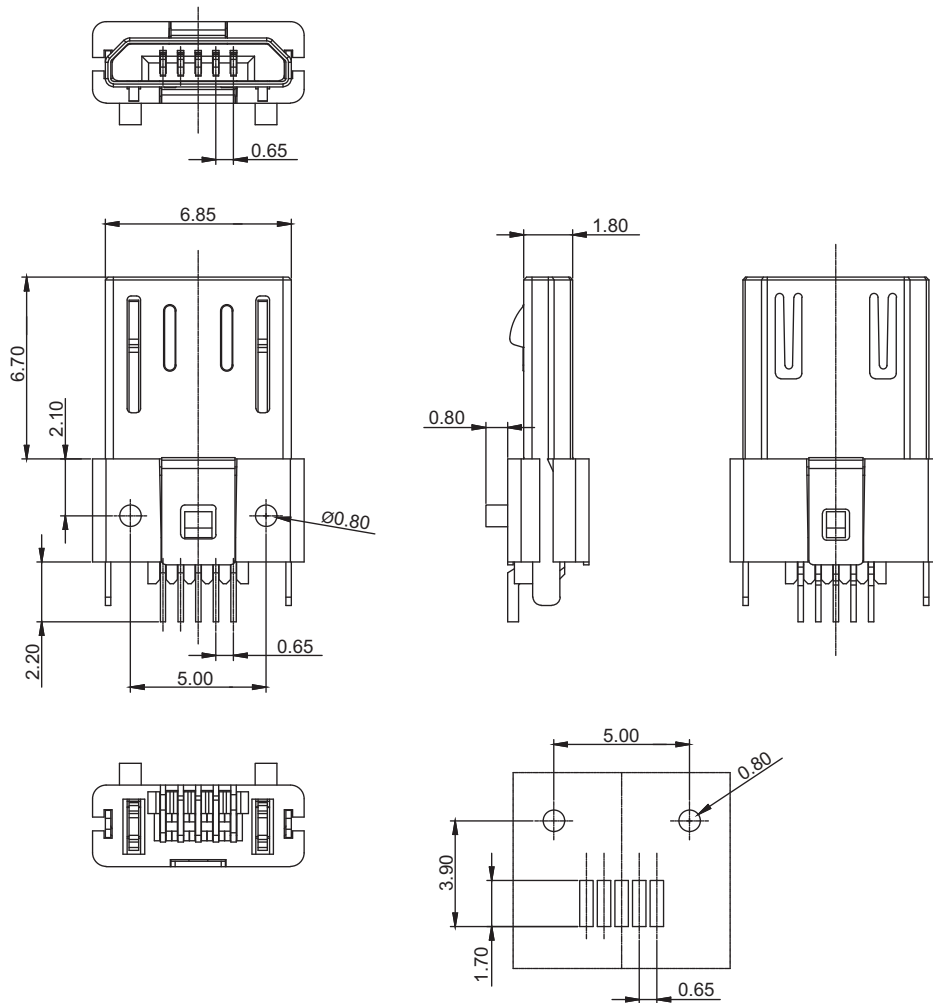
## Mating parts series



RoHS  
compliant

## Mechanical dimensions

Unit: mm



Recommended P.C.B. layout

### Tolerances

Linear	X	± 0.35
	XX	± 0.25
	XXX	± 0.15

## Part numbering guide

3809 H

B

Series  
H = SMT horizontal

Contact plating  
B = Flashgold

\* standard

