

1499 Series 2.00 mm Jumper

General specifications

Insulator material	PBT, UL94V-0
Contact material	Phosphor bronze
Current rating	3 A
Contact resistance	30 mΩ max.
Insulator resistance	1000 MΩ min.
Dielectrical withstanding	500 VAC for 1 min

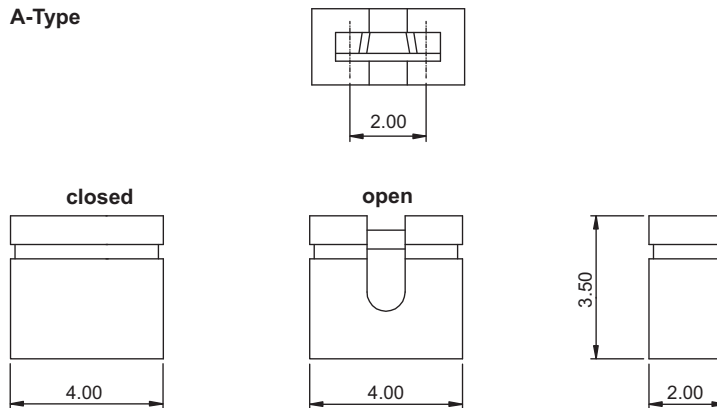
Mating parts series



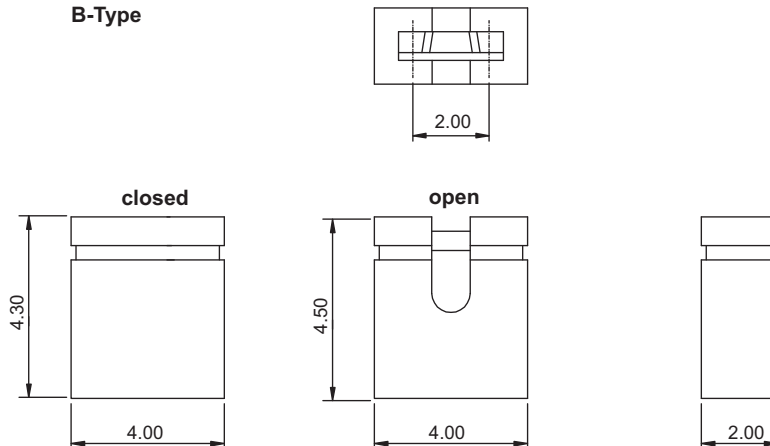
Mechanical dimensions

Unit: mm

A-Type



B-Type



Tolerances	
Linear	.X ± 0.38
	.XX ± 0.25

Part numbering guide

1499 A 02 B 0 BK

Series	No. of contacts	Contact plating	Type	Housing color
A = A-Type	02	B = Flashgold	0 = open	BK = Black* YE = Yellow GN = Green
B = B-Type		E = 10 μ ^t gold	1 = closed	GY = Grey BU = Blue
		F = 15 μ ^t gold		WH = White OR = Orange
		J = 30 μ ^t gold		RE = Red PU = Purple

* standard

