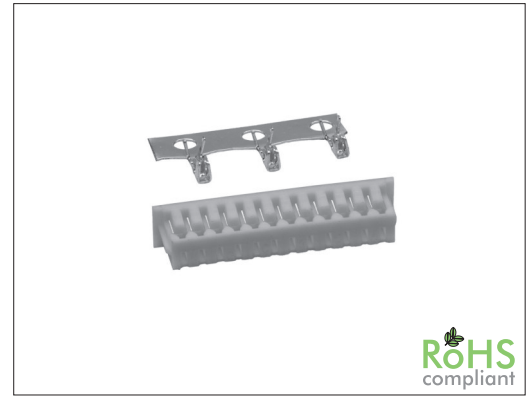


2127 Series

1.25 mm MX Housing and Terminal

General specifications

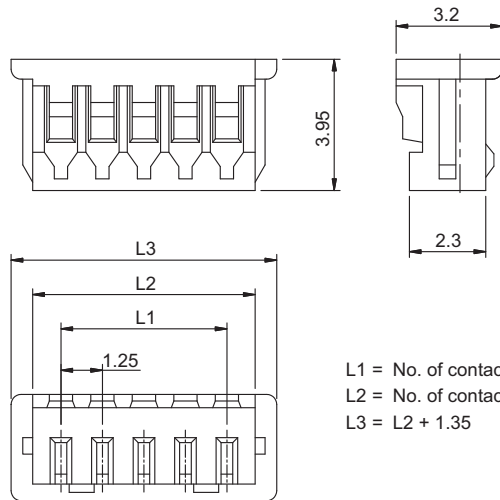
Insulator material	PBT, UL94V-0, color: natural
Contact material	Phosphor bronze, plating: tin
Current rating	1 A
Voltage rating	125 V AC/DC
Contact resistance	20 mΩ max.
Insulator resistance	100 MΩ min.
Dielectrical withstanding	250 VAC for 1 min
Operating temperature	-40 °C to +85 °C
Mating parts series	
2127-H, 2127-V, 2127-R, 2127-S	



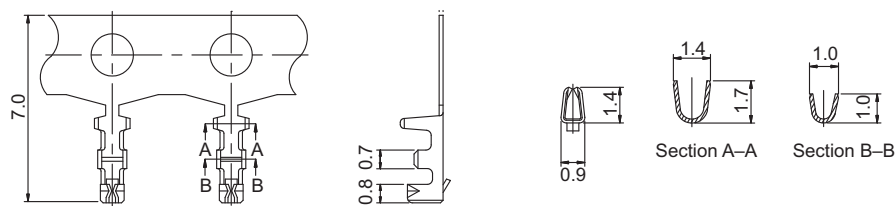
Mechanical dimensions

Unit: mm

2127P



2127T



Wire range: AWG 26 to 32

Tolerances		
Linear	.X	± 0.38
	.XX	± 0.25

Part numbering guide

2127 P

02

Series
P = Housing
T = Terminal

No. of contacts
02 to 15
(leave blank for terminal)

* standard

