

# 49762 Series MMCX Jack Straight Solder

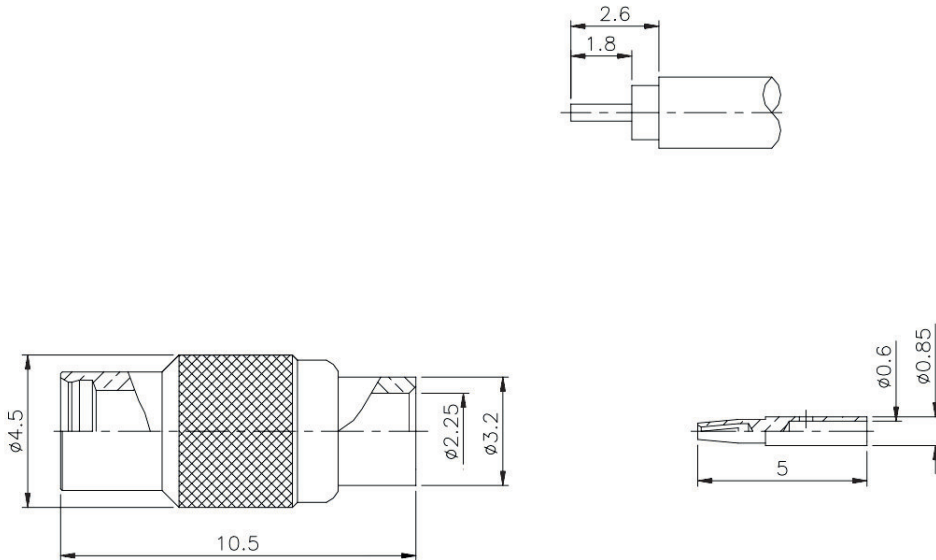
## General specifications

Insulator material	Teflon
Center contact material	Beryllium copper, plating: gold
Body material	Brass, plating: gold
Impedance	50 $\Omega$
Frequency range	0 to 6 GHz
Contact resistance	Center: 5 m $\Omega$ max. / outer: 2.5 m $\Omega$ max.
Insulator resistance	1000 M $\Omega$ min.
Dielectrical withstanding	500 VAC
Operation temperature	-65 C to +155 C
Durability	500 cycles



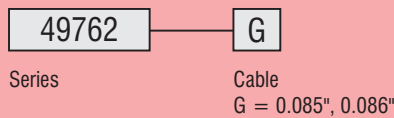
## Mechanical dimensions

Unit: mm



Tolerances	
Linear	<6 ± 0.2
	6 to 30 ± 0.4
	>30 ± 0.6

## Part numbering guide



\* standard

