

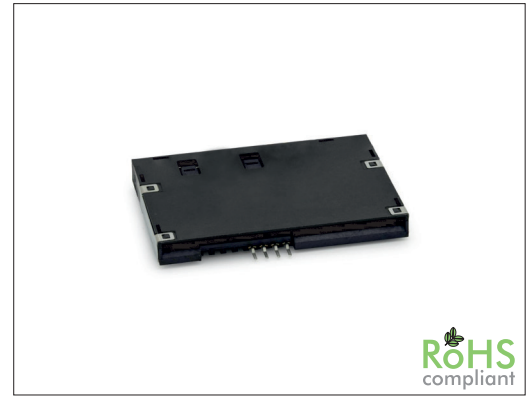
0600 Series

Smart Card 8 and 16 Pin SMT

General specifications

Insulator material	High temperature thermoplastic, UL94V-0
Contact material	Phosphor bronze, plating: gold over nickel
Current rating	1 A
Voltage rating	30 V AC/DC
Contact resistance	100 mΩ max.
Insulator resistance	1000 MΩ @ 500 VDC
Dielectrical withstanding	500 VAC for 1 min
Operating temperature	-40 °C to +85 °C
Durability	200000 cycles
Soldering	JEDEC lead free reflow soldering process

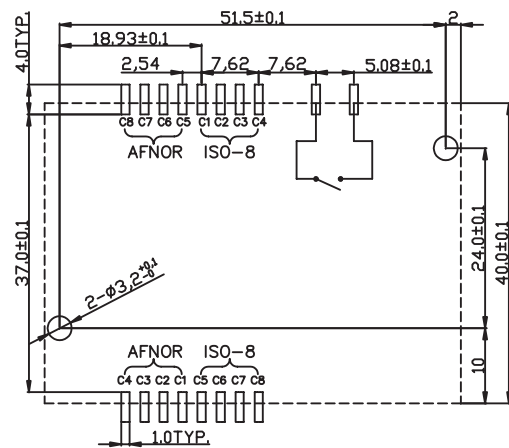
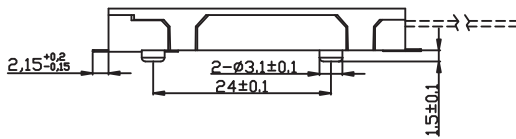
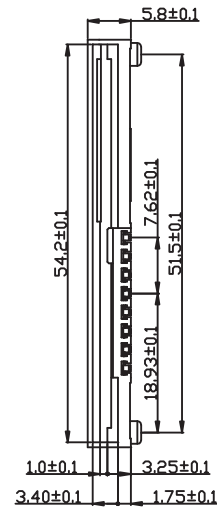
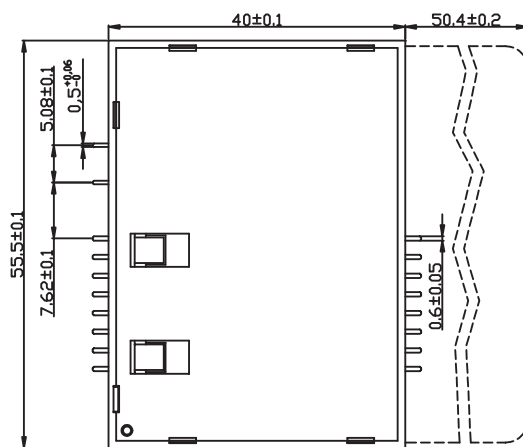
Mating parts series



Mechanical dimensions

Switch type: sealed
Operation: normally open

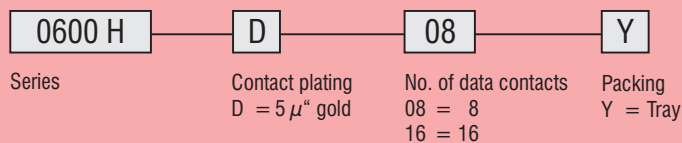
Unit: mm



Recommended P.C.B. layout

Tolerances	
Linear	± 0.15

Part numbering guide



* standard

