

# 2510 Series

# 5.08 mm Housing and Terminal

### General specifications

|                           |                                  |
|---------------------------|----------------------------------|
| Insulator material        | Nylon 66, UL94V-0, color: nature |
| Contact material          | Brass, plating: tin              |
| Current rating            | 7 A                              |
| Voltage rating            | 250 V AC/DC                      |
| Contact resistance        | 10 mΩ max.                       |
| Insulator resistance      | 1000 MΩ min.                     |
| Dielectrical withstanding | 1500 VAC for 1 min               |
| Operating temperature     | -25 °C to +85 °C                 |
| Wire range                | AWG 18 to 22                     |

### Mating parts series

2510-SR

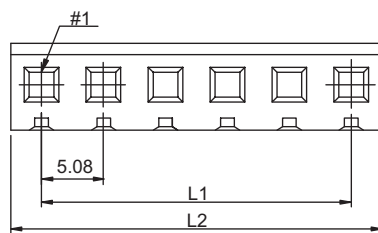


RoHS  
compliant

### Mechanical dimensions

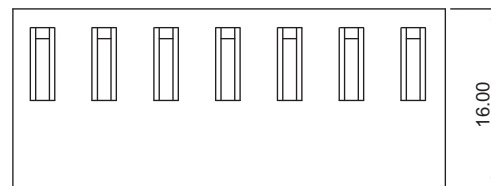
Unit: mm

#### 2510P

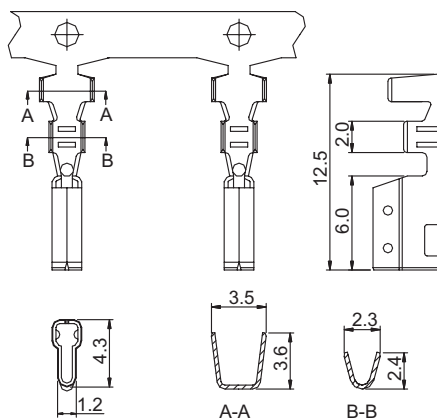


$$L1 = (\text{No. of contacts} - 1) \times 5.08$$

$$L2 = L1 + 5.00$$



#### 2510T



| Tolerances |     |        |
|------------|-----|--------|
| Linear     | .X  | ± 0.38 |
|            | .XX | ± 0.25 |

### Part numbering guide

2510 P

02

Series  
P = Housing  
T = Terminal

No. of contacts  
02 to 20  
leave blank for terminal

\* standard

