

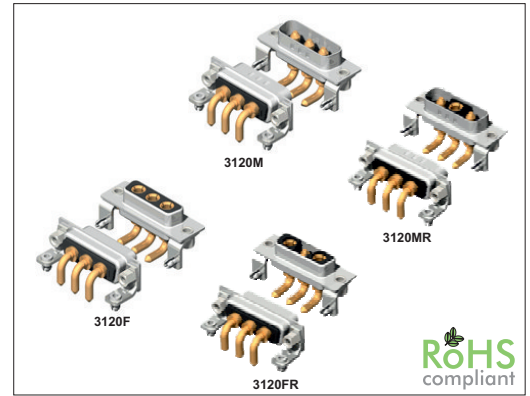
3120 Series

D-Sub High Power C3W3/3W3C Right Angle 20/40 A

General specifications

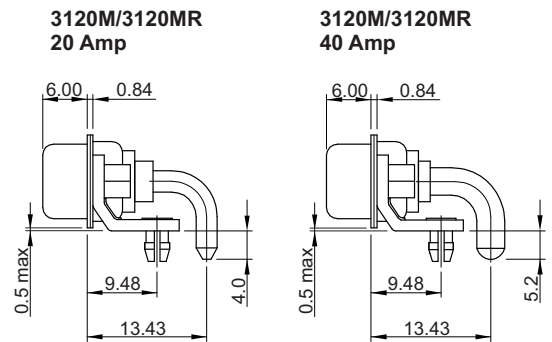
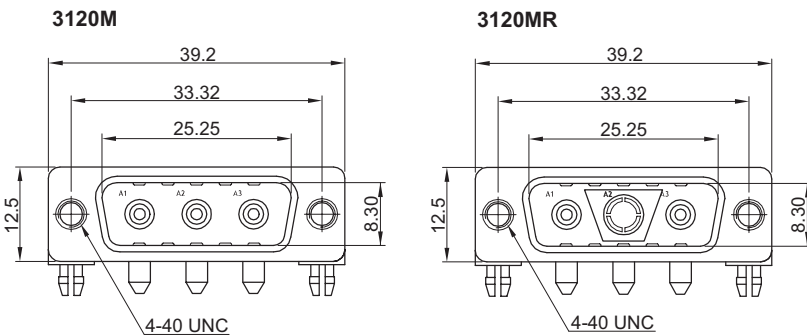
Insulator material	Glass filled polyester, UL94V-0, color: black
Contact material	Copper alloy
Shell material	Steel, plating: tin
Lock link	Copper alloy, plating: tin over nickel
Power contact resistance	2.7 mΩ max.
Insulator resistance	5000 MΩ min.
Dielectrical withstanding	1000 VAC for 1 min
Operating temperature	-55 °C to +125 °C
Durability	100 cycles

Mating parts series

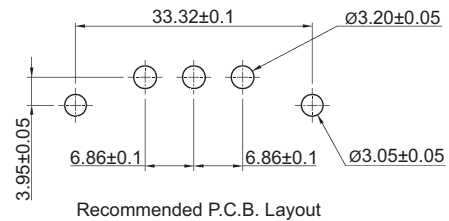
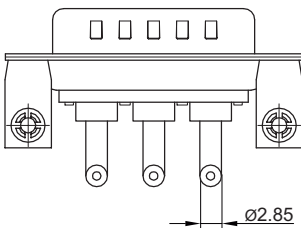


Mechanical dimensions

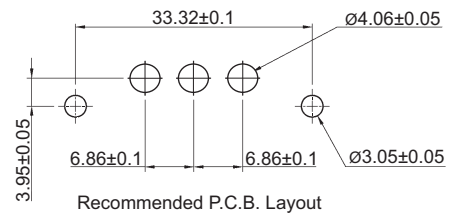
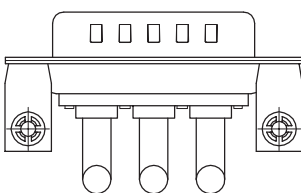
Unit: mm



3120M/3120MR 20 Amp



3120M/3120MR 40 Amp



Tolerances

Linear	X	± 0.30
	XX	± 0.20
	XXX	± 0.10

continued on page 2

Part numbering guide

3120 F — **20** — **B** — **0** — **0**

Series

F = Female C3W3
M = Male C3W3
FR = Female 3W3C
MR = Male 3W3C

Power contacts

20 = 20 A
40 = 40 A

Power contact plating

B = Flashgold
F = 15 μ" gold
J = 30 μ" gold

Signal contact plating

0 = w/o signal contact

Mounting type

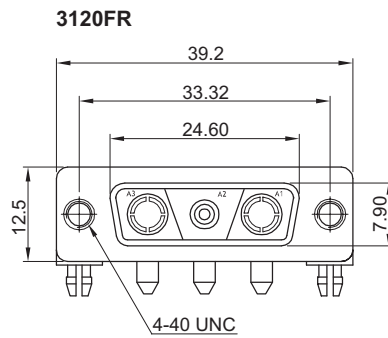
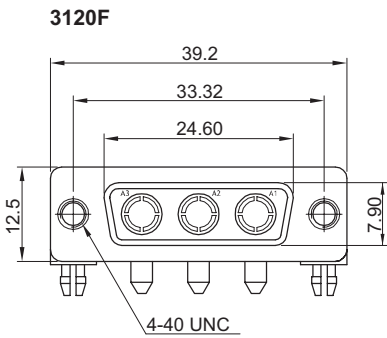
0 = w/o screws
B = w/ rivited front bolts 4.0 mm
C = w/ rivited rear bolts 4.0 mm
L = tabs w/ boadlock
I = w/ ground tabs 3.2 mm

* standard

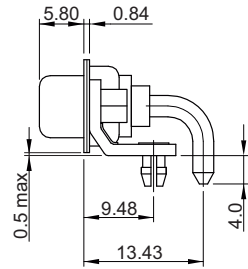


Mechanical dimensions

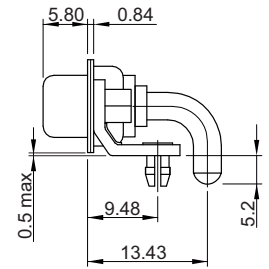
Unit: mm



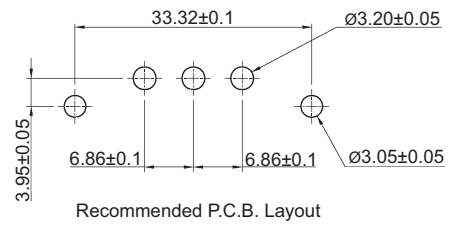
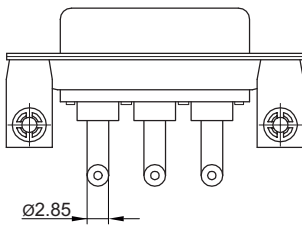
**3120F/3120FR
20 Amp**



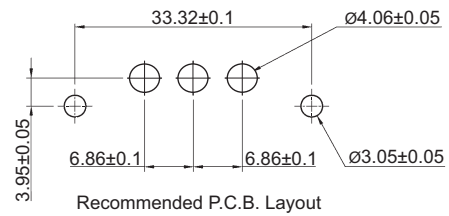
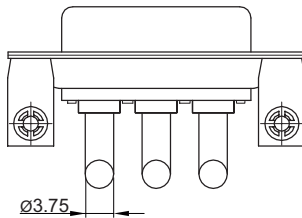
**3120F/3120FR
40 Amp**



**3120F/3120FR
20 Amp**



**3120F/3120FR
40 Amp**



Type 0 (w/ Ø3.05 holes)	Type B (w/ rivited front bolts)	Type C (w/ rivited rear bolts)	Type I (w/ ground tabs)	Type L (tabs w/ lock)

Tolerances		
Linear	X	± 0.30
	.XX	± 0.20
	.XXX	± 0.10

