

# 4268 Series

# 3.5 mm Earphone Jack Vertical Azalia Type Shielded

## General specifications

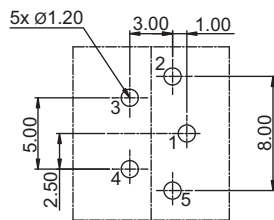
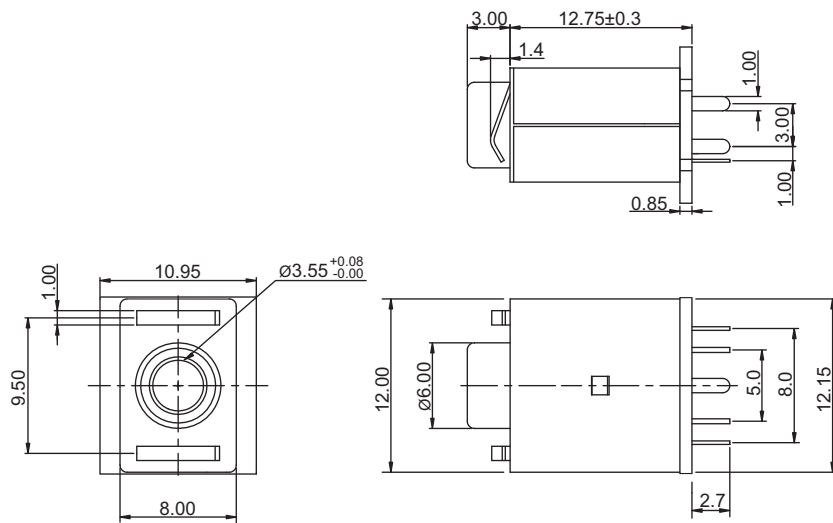
Insulator material	Nylon PA66, UL94V-0
Contact material	Phosphor bronze or brass, plating: tin or silver
Shell material	Stainless steel
Current rating	2 A
Voltage rating	12 VDC
Contact resistance	30 mΩ max.
Insulator resistance	100 MΩ min.
Dielectrical withstanding	500 VAC for 1 min.
Durability	2000 cycles
Soldering	Lead free wave soldering process

## Mating parts series



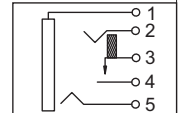
## Mechanical dimensions

Unit: mm



Recommended P.C.B. layout top view, tolerances: ±0.10

4268A05



Tolerances		
Linear	X	± 0.30
	.XX	± 0.20
	.XXX	± 0.05

## Part numbering guide

4268 A — 05 — B

Series

No. of contacts  
05

Color

A = Pink  
B = Black\*  
C = Lime  
D = Yellow  
E = Orange  
F = Light blue

\* standard

