

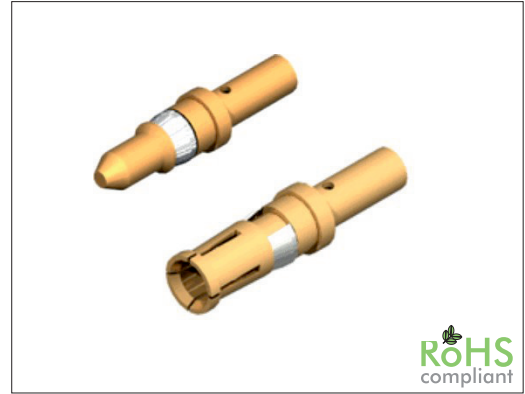
3118 Series

High Power Contact Crimp Type for D-Sub 20/40 A

General specifications

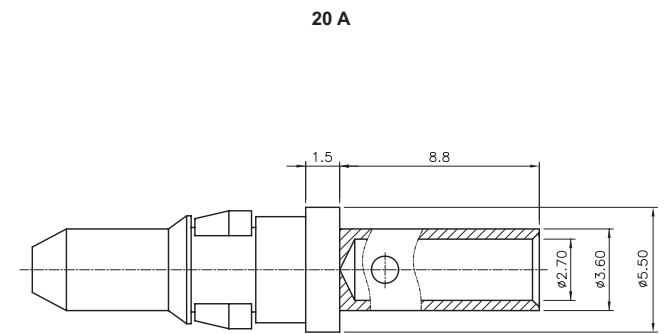
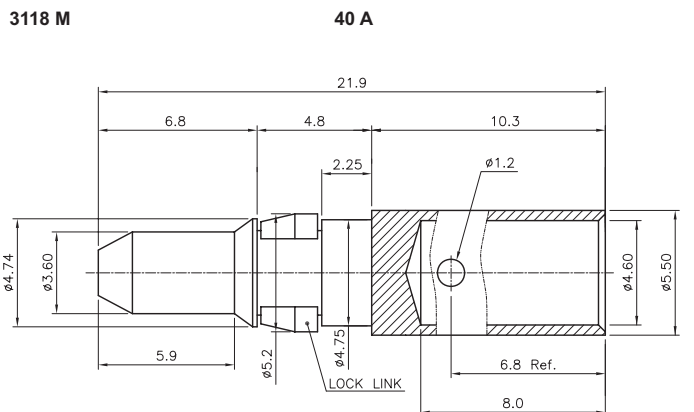
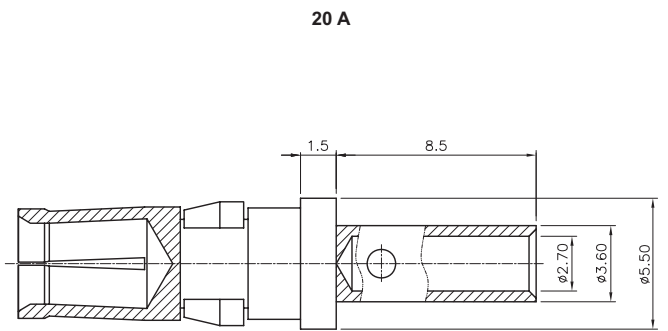
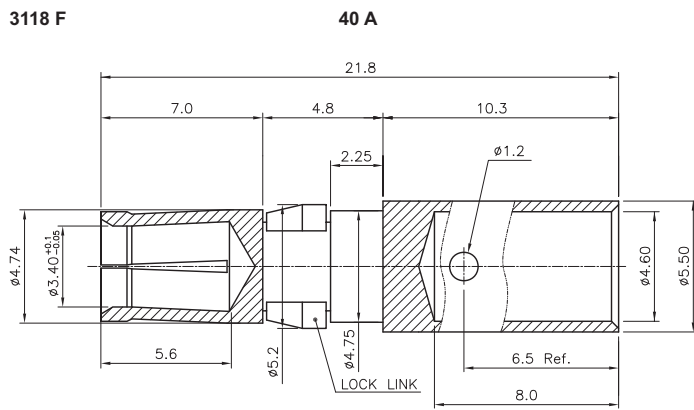
Lock link	Brass, plating: nickel
Contact material	Brass

Mating parts series



Mechanical dimensions

Unit: mm



Tolerances

Linear	X	± 0.10
	.XX	± 0.05

Part numbering guide

3118 F	20	B
Series	Current rating	Contact plating
F = Female	20 = 20 A	B = Flashgold
M = Male	40 = 40 A	F = 15 μm gold
		J = 30 μm gold

* standard

