

# Series 5107

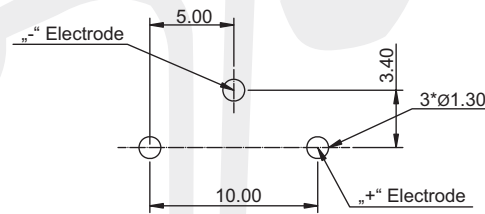
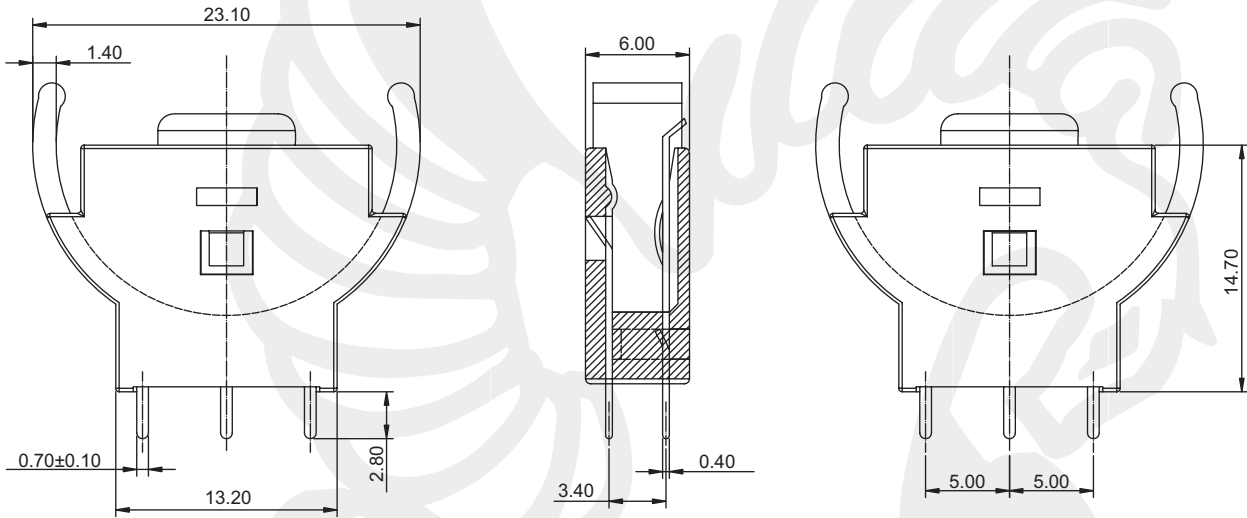
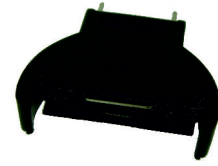
## Battery Holder vertical for CR2032

### Material

Insulator: Nylon-66, UL94V-0  
 Color: Black  
 Contact: Brass  
 Plating: Tin over nickel

### Electrical

Rating: 3 V / 120 mA  
 Contact resistance: 30 mΩ max.  
 Insulator resistance: 100 MΩ min.  
 Dielectric withstanding: 500 VDC/minute  
 Operating temperature: -55°C ~ +105°C  
 Durability: 50 cycles



Recommended P.C.B. Layout  
Top View

Tolerances	
Linear	.X ± 0.38
	.XX ± 0.25
	.XXX ± 0.20



All dim. in mm

**5107** — **T**

Contact plating  
T = tin

This document is protected by copyright law and international treaties. Reproduction except for personal use and distribution of this document will be prosecuted to the maximum extent possible under the law. Subject to changes without prior notice. Errors and omissions excepted. Copyright by NEXUS COMPONENTS GmbH