

3806 Series

Micro USB B-Type 5 Pin SMT Socket 180°

General specifications

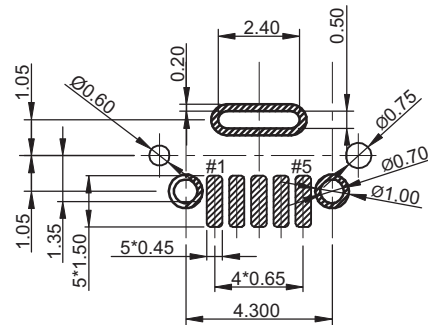
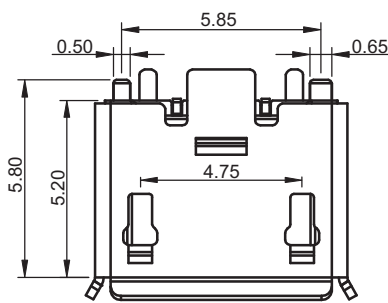
Insulator material	LCP, UL94V-0
Contact material	Phosphor bronze, plating: gold
Shell material	Stainless steel
Current rating	1.8 A at #1 and #5, 1 A at all other pin
Contact resistance	30 mΩ max.
Insulator resistance	100 MΩ min.
Dielectrical withstanding	100 VAC for 1 min
Operating temperature	-40 °C to +105 °C
Durability	5000 cycles
Soldering	JEDEC lead free reflow soldering process

Mating parts series

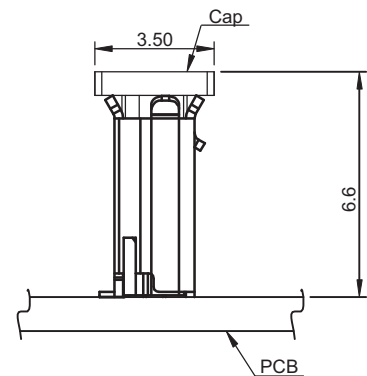
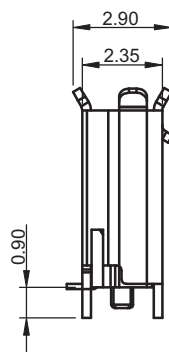
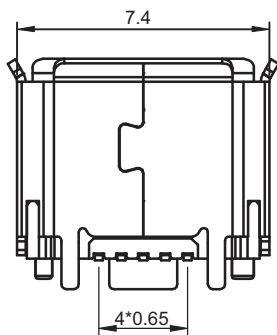
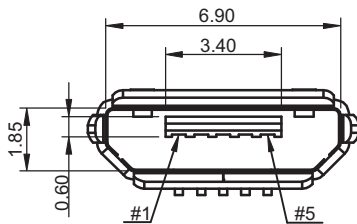


Mechanical dimensions

Unit: mm



Recommended P.C.B. layout top view)



Tolerances		
Linear	X	± 0.20
	.XX	± 0.10

Part numbering guide

3806 V	E	R
Series V = SMT vertical	Contact plating E = 10 μ" gold* J = 30 μ" gold	Packing R = Reel Y = Tray

* standard

