

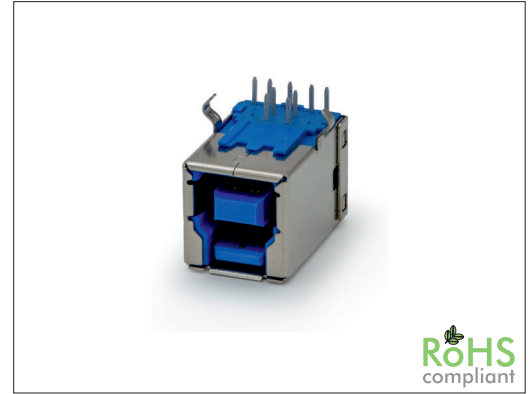
3817 Series

USB 3.0 B-Type Socket

General specifications

Insulator material	PBT w/ 30% glass fiber, UL94V-0
Contact material	Copper alloy, plating: gold over nickel
Current rating	1.8 A
Contact resistance	50 mΩ max.
Insulator resistance	100 MΩ min.
Dielectrical withstanding	100 VAC for 1 min
Operating temperature	-40 °C to +85 °C
Durability	1500 cycles min.
Soldering	Lead free wave soldering process

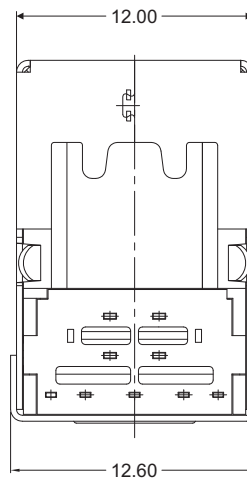
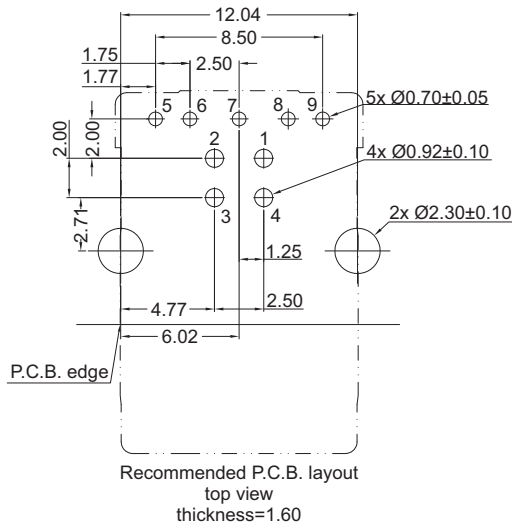
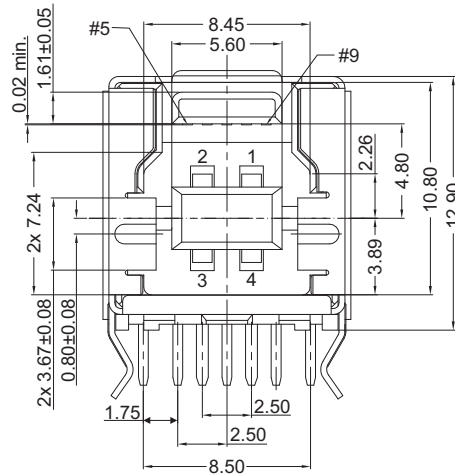
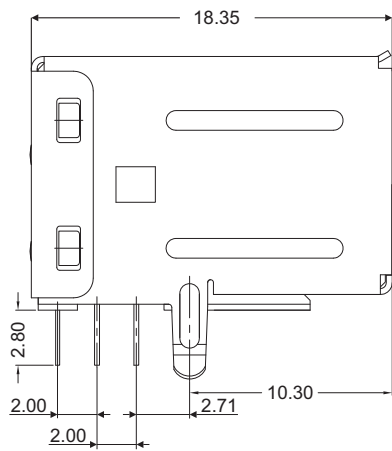
Mating parts series



RoHS
compliant

Mechanical dimensions

Unit: mm

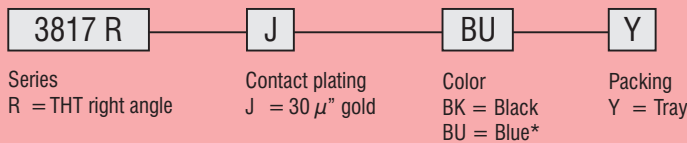


Pin assignment	
Pin number	Signal name
1	VBUS
2	D-
3	D+
4	GND
5	SSTX-
6	SSTX+
7	GND_DRAIN
8	SSRX-
9	SSRX+
Shell	Shield

Tolerances

Linear	X	± 0.38
	.XX	± 0.25
	.XXX	± 0.20

Part numbering guide



* standard

