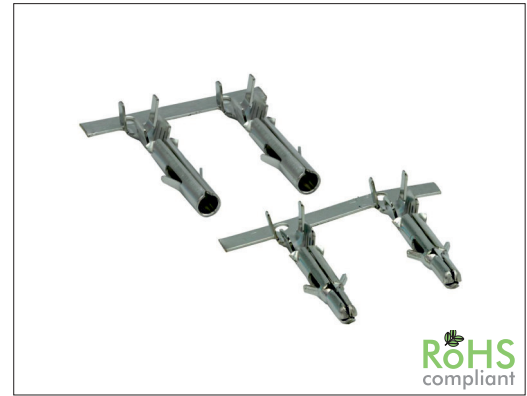


2635 Series

6.35 mm HV Male / Female Crimp Terminal

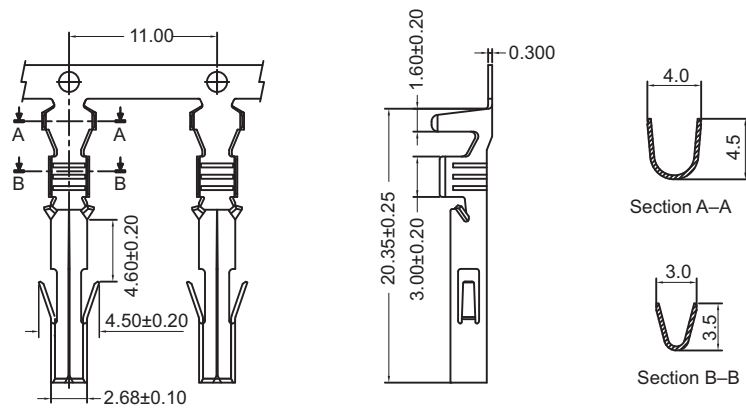
General specifications	
Contact material	Brass, plating: tin
Current rating	15 A
Contact resistance	3.5 mΩ max.
Wire range	AWG 14 to AWG 18
Mating parts series	
2635P, 2635M	



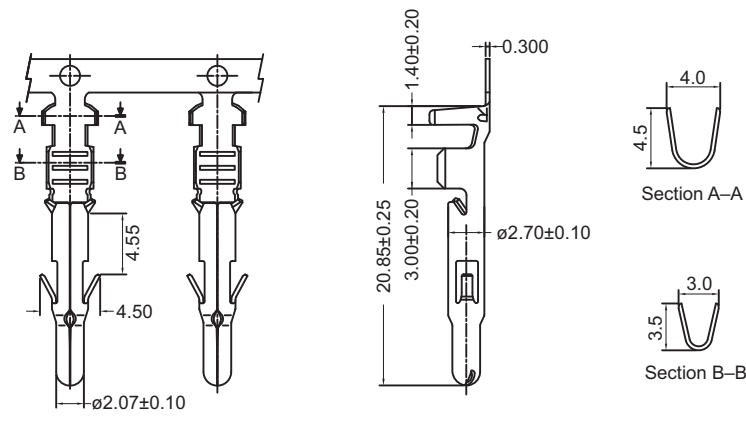
Mechanical dimensions

Unit: mm

2635T



2635Z



Tolerances		
Linear	X	± 0.25
	.XX	± 0.15
	.XXX	± 0.05

Part numbering guide

2635 T

Series
 T = Terminal female
 Z = Terminal male

* standard

