

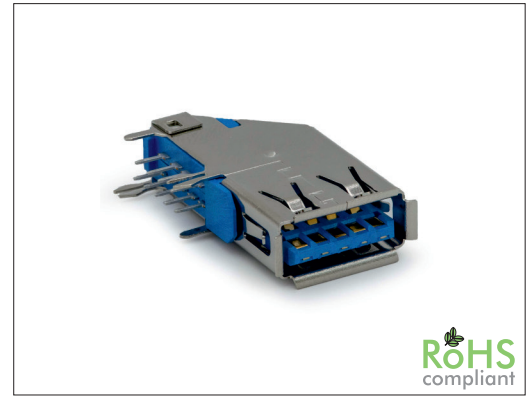
3813 Series

USB 3.0 A-Type Socket Vertical

General specifications

Insulator material	PBT w/ 30% glass fiber, UL94V-0, color: blue
Contact material	Copper alloy, plating: gold over nickel
Current rating	1.8 A @ VBUS, GND, 0.25 A @ other pins
Contact resistance	30 mΩ max. @ VBUS, GND, 50 mΩ max. @ others pins
Insulator resistance	100 MΩ min.
Dielectrical withstanding	100 VAC for 1 min
Operating temperature	-55 °C to +85 °C
Durability	5000 cycles min
Soldering	Lead free wave soldering process

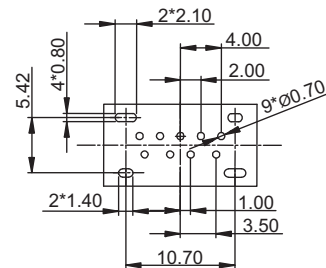
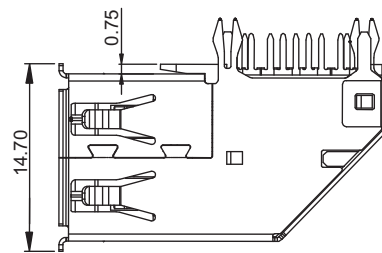
Mating parts series



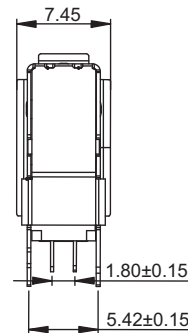
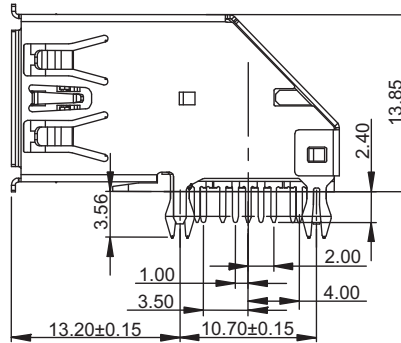
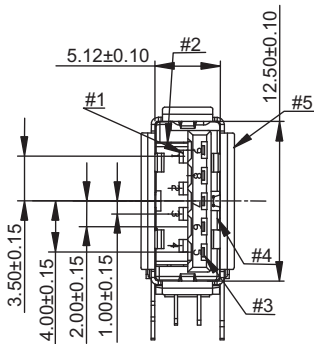
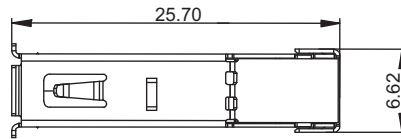
RoHS
compliant

Mechanical dimensions

Unit: mm



Recommended P.C.B. layout



Pin assignment	
Pin number	Signal name
1	VBUS
2	D-
3	D+
4	GND
5	SSRX-
6	SSRX+
7	GND_DRAIN
8	SSTX-
9	SSTX+
Shell	Shield

Tolerances

Linear	X	± 0.38
	.XX	± 0.25
	.XXX	± 0.13

Part numbering guide

3813 R	J	BU	Y
Series R = THT right angle	Contact plating B = Flashgold C = 3 μ" gold F = 15 μ" gold J = 30 μ" gold*	Color BU = Blue	Packing Y = Tray

* standard

