

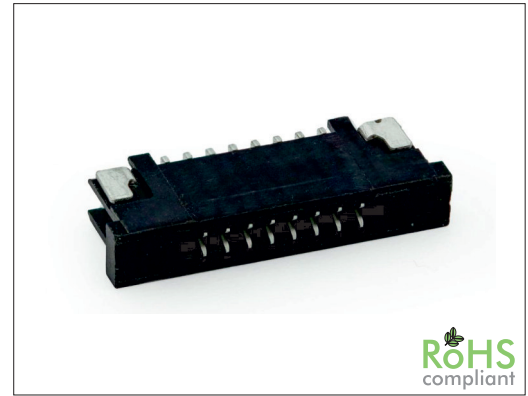
2982 Series

1.00 mm SMT FPC ZIF Socket Dual Contacts

General specifications

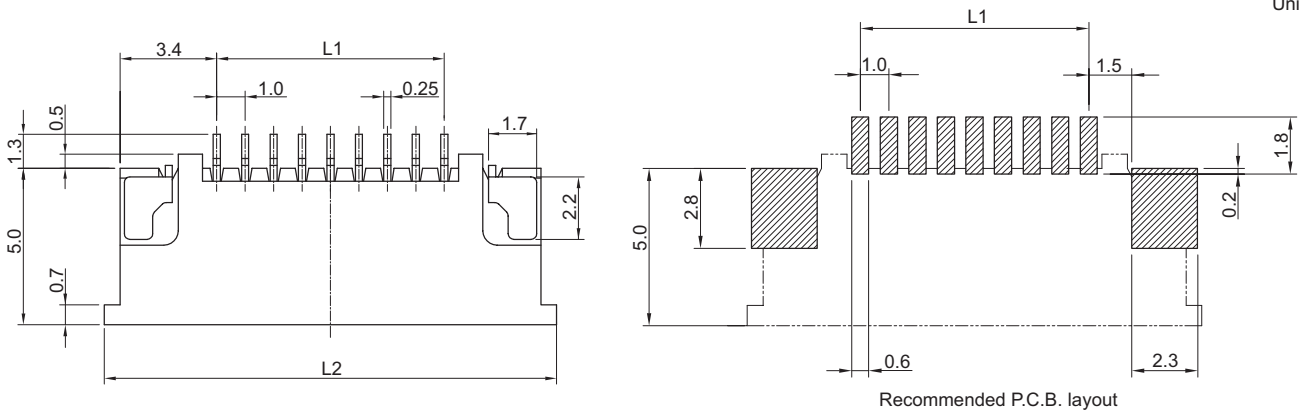
Insulator material	High temperature plastic, UL94V-0
Contact material	Copper alloy
Current rating	1.0 A
Voltage rating	100 V AC/DC
Contact resistance	20 mΩ max.
Insulator resistance	500 MΩ min.
Dielectrical withstanding	500 VAC for 1 min
Operating temperature	-25 °C to +85 °C
Soldering	JEDEC lead free reflow soldering process

Mating parts series

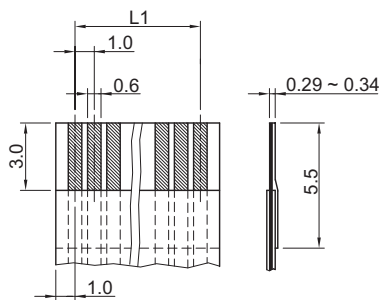
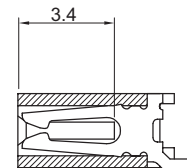
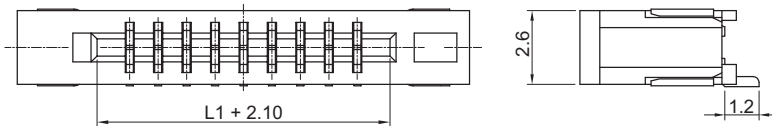


Mechanical dimensions

Unit: mm



Recommended P.C.B. layout



Accommodated FFC/FPC

$$L1 = (\text{No. of contacts} - 1) \times 1.00$$

$$L2 = \text{No. of contacts} \times 1.00 + 7.00$$

Tolerances	
Linear	X ± 0.38
	.XX ± 0.25

Part numbering guide

2982 H	04	T	R
Series H = SMT horizontal dual contact	No. of contacts 04 to 32	Contact plating T = Tin	Packing R = Reel T = Tube

* standard

