

# 49654 Series SMB Plug Straight Solder

## General specifications

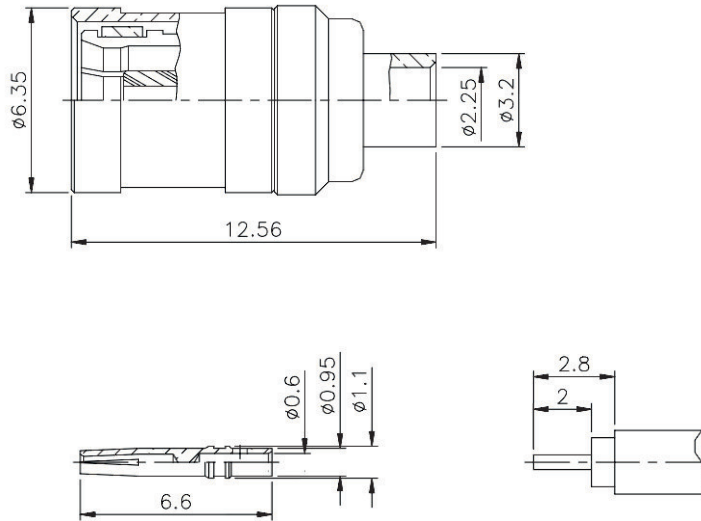
Insulator material	Teflon
Center contact material	Beryllium copper, plating: gold
Body material	Brass, plating: gold
Impedance	50 $\Omega$
Frequency range	0 to 4 GHz
VSWR	1.3 max.
Contact resistance	Center: 6 m $\Omega$ max. / outer: 2.5 m $\Omega$ max.
Insulator resistance	1000 M $\Omega$ min.
Operation temperature	-65 C to +165 C
Durability	500 cycles



RoHS  
compliant

## Mechanical dimensions

Unit: mm



### Tolerances

Linear	<6	$\pm 0.2$
	6 to 30	$\pm 0.4$
	>30	$\pm 0.6$

## Part numbering guide

49654

Series

G

Cable  
G = 0.085", 0.086"

50

Impedance  
50 = 50  $\Omega$

\* standard

