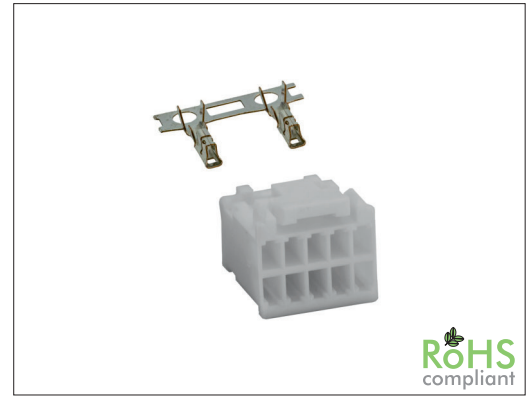


# 2206 Series

# 2.00 mm PAD Housing w/ Lock Dual Row and Terminal

### General specifications

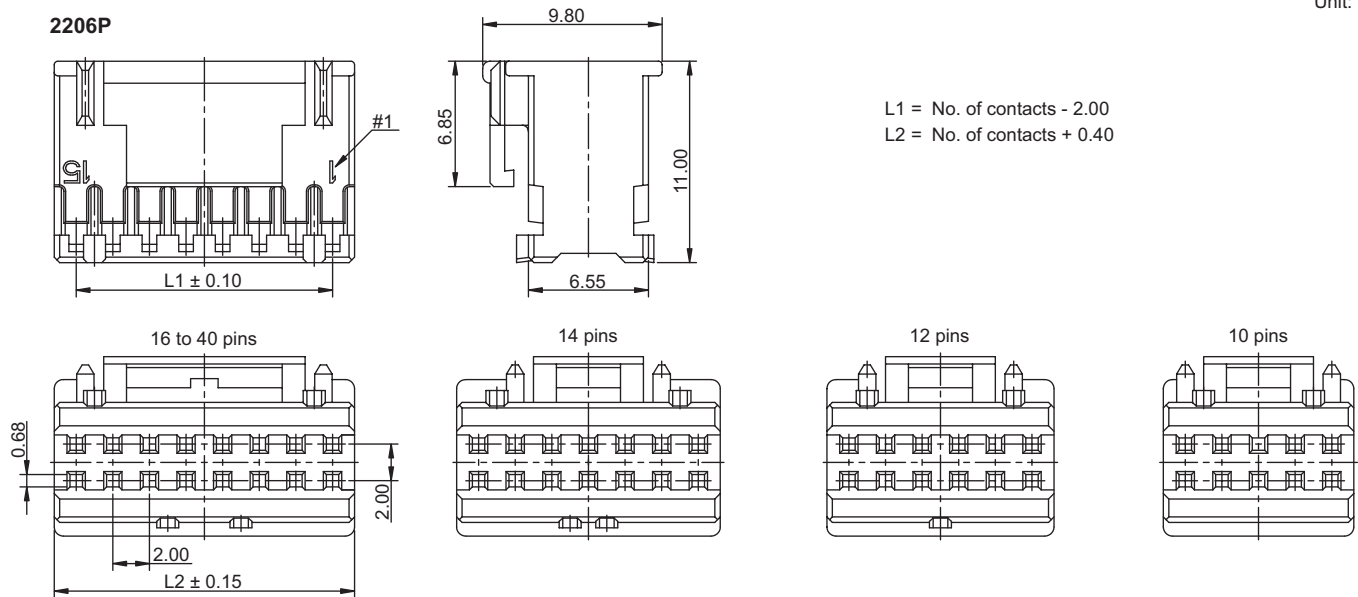
Insulator material	Nylon 66, UL94V-0, color: white
Contact material	Phosphor bronze, plating: tin
Current rating	3 A
Volage rating	250 V AC/DC
Contact resistance	10 mΩ max.
Insulator resistance	1000 MΩ min.
Dielectrical withstanding	800 VAC for 1 min
Operating temperature	-25 °C to +85 °C
<b>Mating parts series</b>	
2206-R, 2206-S	



### Mechanical dimensions

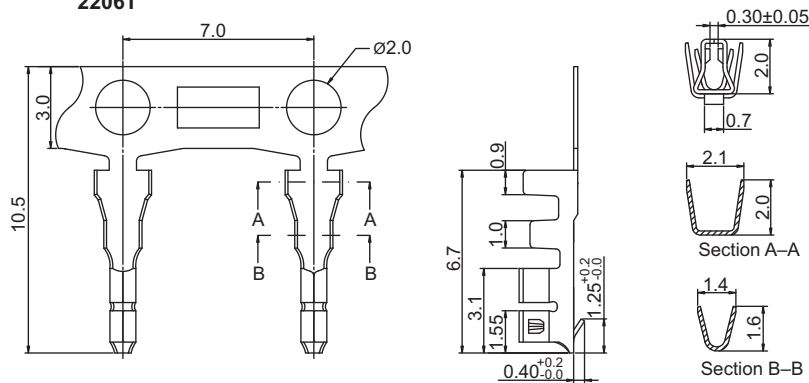
Unit: mm

#### 2206P



L1 = No. of contacts - 2.00  
L2 = No. of contacts + 0.40

#### 2206T



Wire range: AWG 24 to 28

Tolerances		
Linear	X	± 0.25
	.XX	± 0.12
	.XXX	± 0.08

### Part numbering guide

2206 P

10

Series  
P = Housing  
T = Terminal

No. of contacts  
10 to 40  
(leave blank for terminal)

\* standard

