

64200 Series SMT RJ45 8P Side Entry

General specifications

Insulator material	High temperature thermoplastic, UL94V-0, color: black
Contact material	Phosphor bronze, plating: gold over nickel
Current rating	1.5 A
Voltage rating	125 VAC
Contact resistance	35 mΩ max.
Insulator resistance	1000 MΩ min. @ 500 VDC
Dielectrical withstandig	1000 VAC for 1 min
Operating temperature	-40 °C to +85 °C
Soldering	JEDEC lead free reflow soldering process
Durability	750 cycles

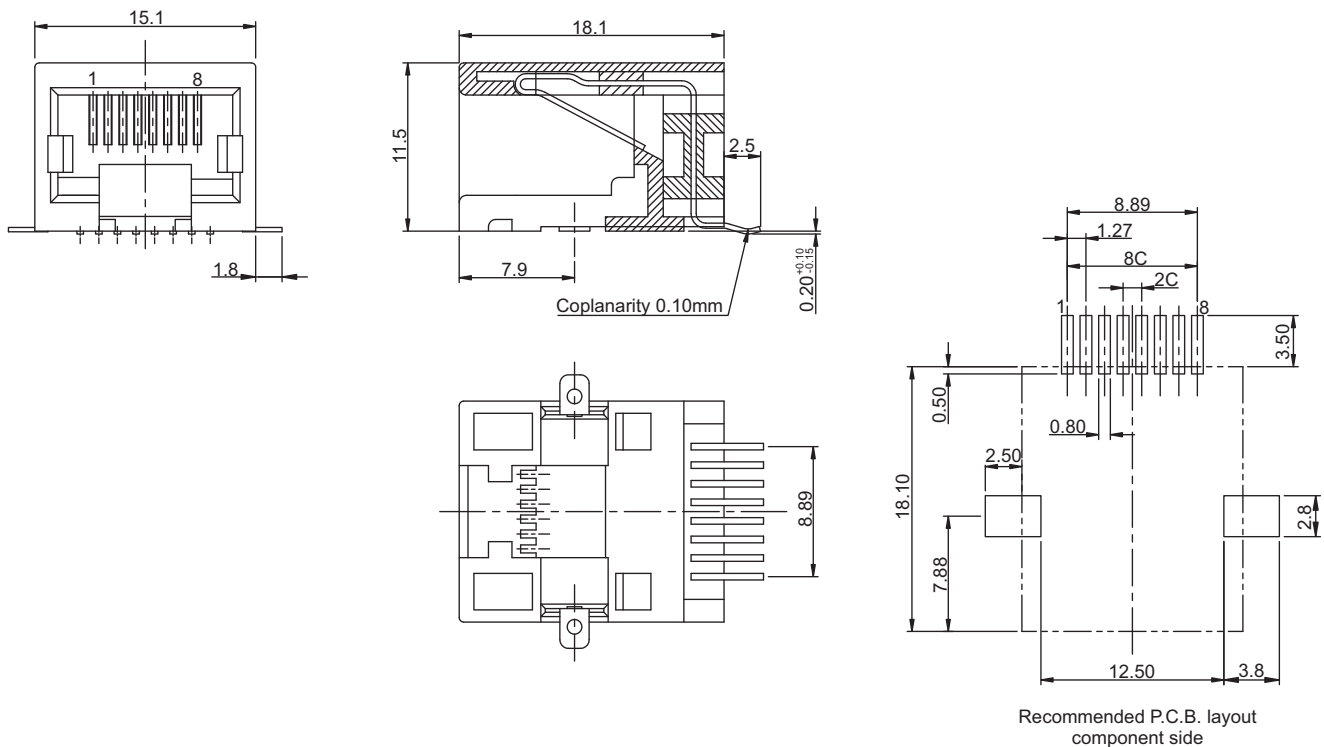
Mating parts series



RoHS
compliant

Mechanical dimensions

Unit: mm



Tolerances	
Linear	X ± 0.25
	.XX ± 0.15

Part numbering guide

64200

C

Series
RJ45 8P

Contact plating
C = 3 μ" gold
D = 6 μ" gold
F = 15 μ" gold

J = 30 μ" gold
K = 50 μ" gold

* standard

