

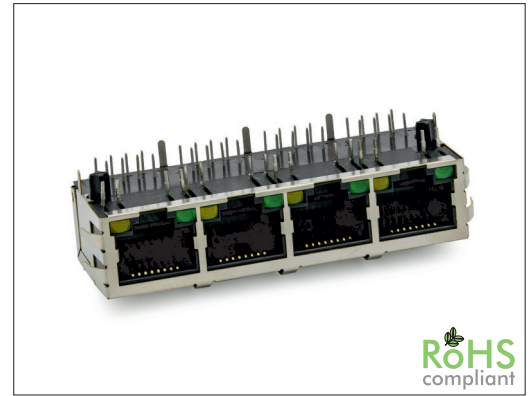
68944 Series

Multiport RJ45 10/100 BASE-TX w/ LED

General specifications

Insulator material	High temperature plastic, UL94V-0
Contact material	Phosphor bronze
Contact plating	Gold over nickel
Shield material	Brass, plating: nickel
Insulator resistance	1000 M Ω min.
Dielectrical withstanding	1500 VAC for 1 min
Durability	750 cycles
Operation temperature	-40 °C to +85 °C
Complies with	IEEE 802.3, ANSI X3.263
Soldering	Lead free wave soldering process

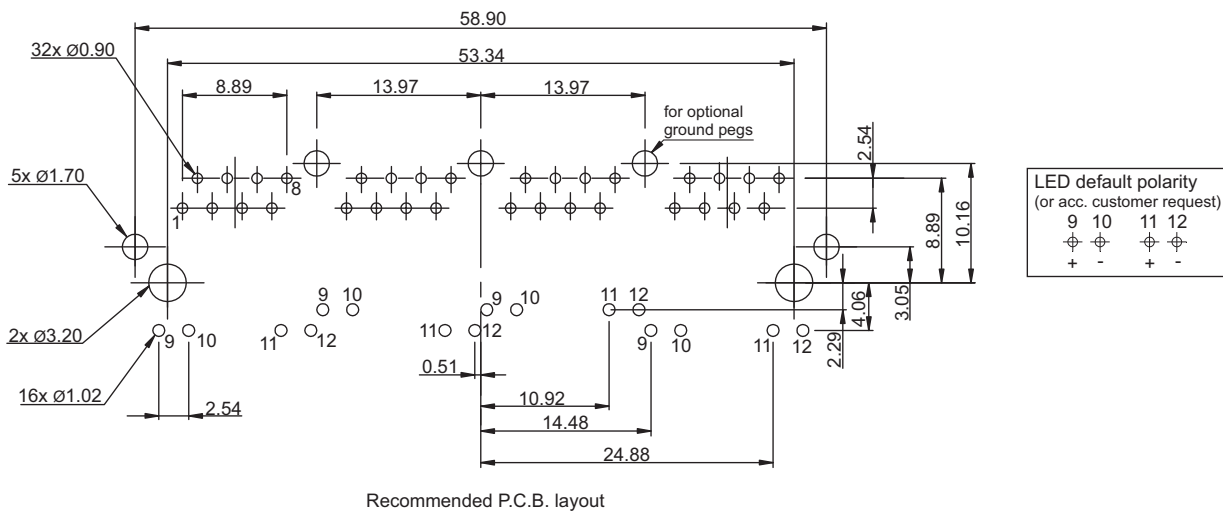
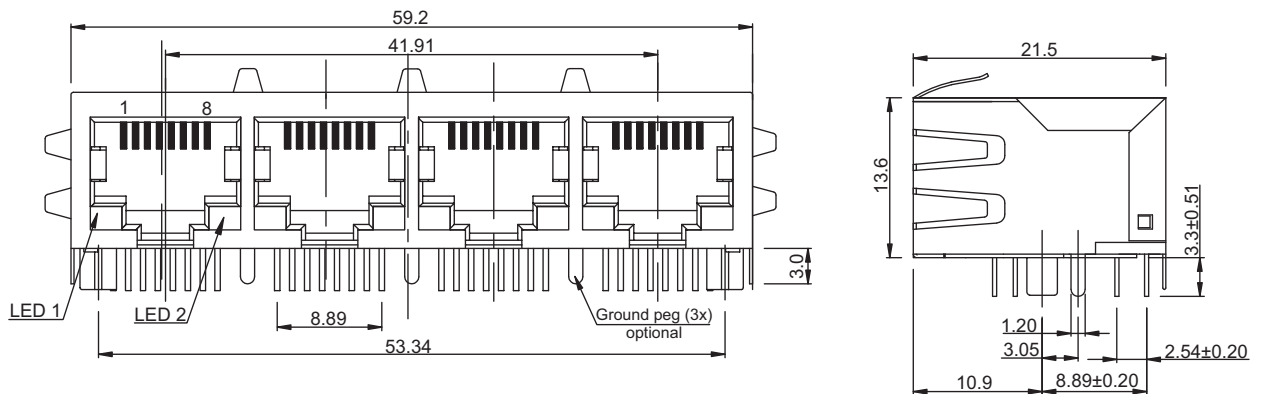
Mating parts series



RoHS
compliant

Mechanical dimensions

Unit: mm



Recommended P.C.B. layout

Linear	X	± 0.20
	.XX	± 0.15
	.XXX	± 0.10

continued on page 2

Part numbering guide

68944	C	010	N	N	0	0
Series	Contact plating C = 3 μ gold D = 6 μ gold F = 15 μ gold J = 30 μ gold	Schematics see page 2	Color LED1 N = w/o LED D = Green/yellow G = Green Y = Yellow	Color LED2	Ground spring 0 = w/o spring 1 = Top spring 2 = Side spring 3 = Top and side spring	Ground pegs (metal) 0 = w/o ground pegs 1 = w/ ground pegs

* standard

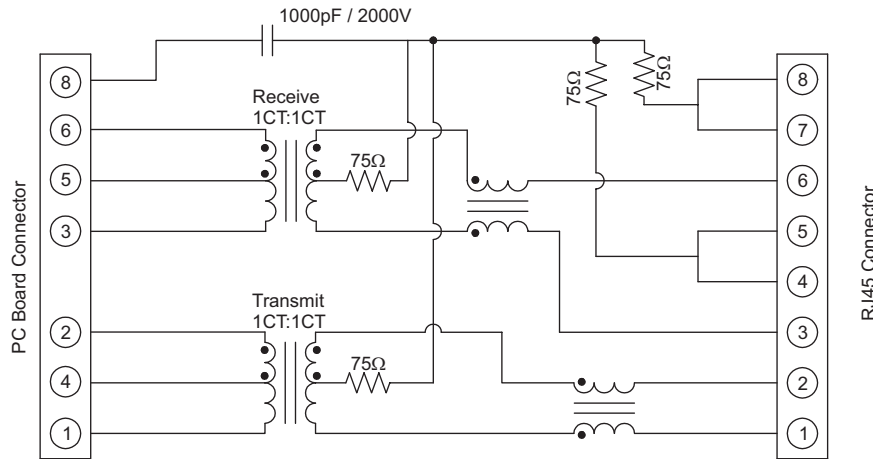


Mechanical dimensions

Unit: mm

Schematics: 010

Note: other schematics and LED polarity on customer request



Turns ratio	Inductance	Insertion loss	Return loss			Cross talk	Common mode
		1 - 100 MHz	1 - 30 MHz	30 - 60 MHz	60 - 80 MHz		
1:1	350 μ H min. @ 0.1 V, 100 KHz, 8 mA DC Bias	-1.1 dB max.	-18 dB min.	-16 dB min.	-12 dB min.	-30 dB min.	-30 dB min.

Tolerances	
Linear	.X \pm 0.20
	.XX \pm 0.15
	.XXX \pm 0.10

