

6454X Series

Multiport RJ45 8P Top Entry Shielded

General specifications

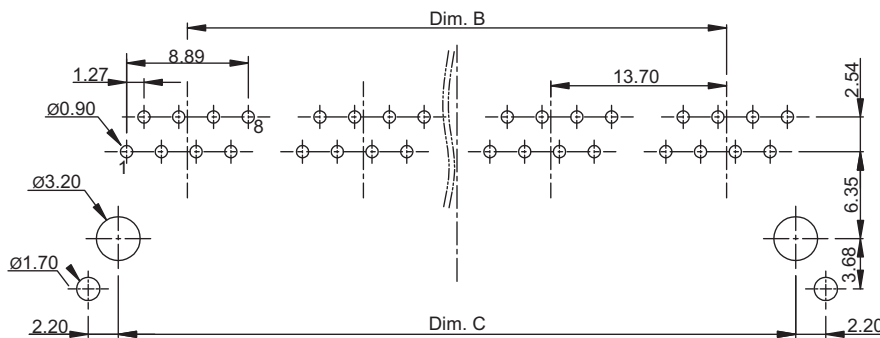
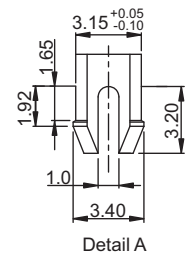
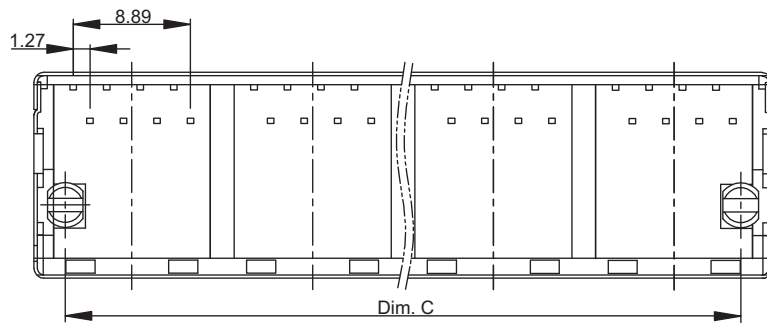
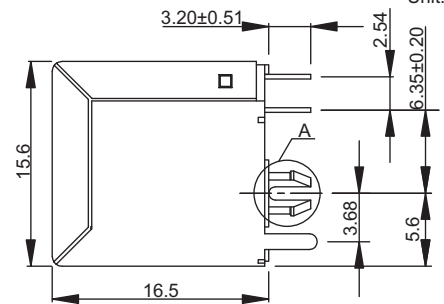
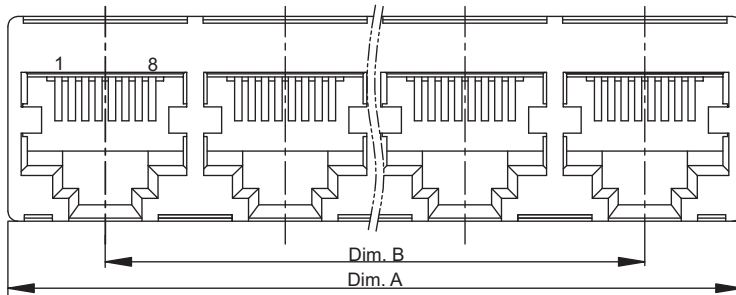
| | |
|---------------------------|--|
| Insulator material | Polyester w/ glass fiber , UL94V-0, color: black |
| Contact material | Phosphor bronze |
| Current rating | 1.5 A |
| Voltage rating | 125 VAC |
| Contact resistance | 35 mΩ max. |
| Insulator resistance | 1000 MΩ min. |
| Dielectrical withstanding | 1000 VAC for 1 min |
| Operating temperature | -40 °C to +85 °C |
| Soldering | Lead free wave soldering process |
| Durability | 750 cycles |

Mating parts series



Mechanical dimensions

Unit: mm



Recommended
P.C.B. layout

| Ports | Dim. A | Dim. B | Dim. C |
|-------|--------|--------|--------|
| 2 | 28.60 | 13.70 | 23.80 |
| 4 | 56.00 | 41.10 | 51.20 |
| 6 | 83.40 | 68.50 | 78.60 |
| 8 | 110.80 | 95.90 | 106.00 |

| Tolerances | | |
|------------|------|--------|
| Linear | X | ± 0.20 |
| | .XX | ± 0.15 |
| | .XXX | ± 0.10 |

Part numbering guide

6454 — B — C

Series

Ports

Contact plating

K = 50 μ" gold

B = 2

C = 3 μ" gold

D = 4

D = 6 μ" gold

F = 6

F = 15 μ" gold

H = 8

J = 30 μ" gold

* standard

