

Series 43901 9x RCA Jack / Cinch

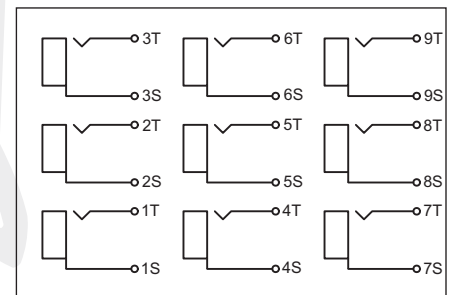
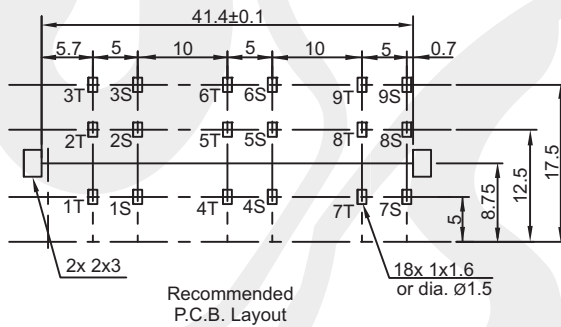
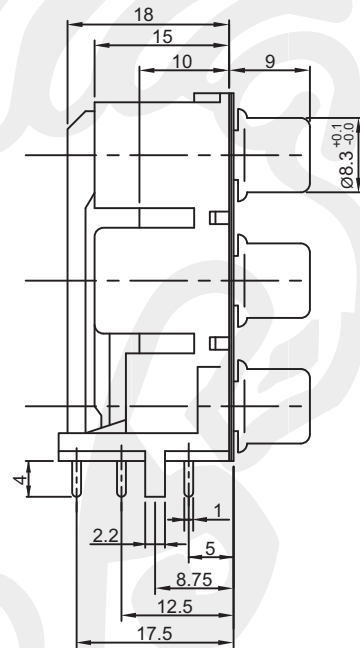
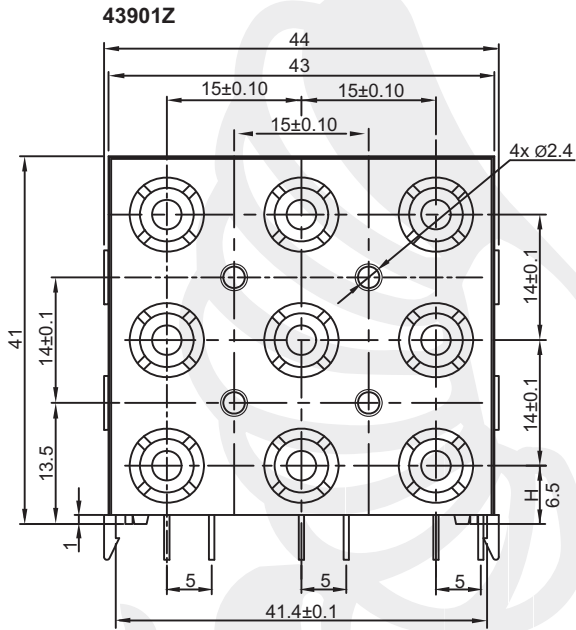
Material

Base, insulator: ABS
 Color washer: PBT + 15% glass fiber
 Contact break / needle: H65 Brass / QSn 6.5-0.1

Electrical

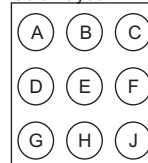
Rating: 0.2 Amp @ 50 VDC
 Contact resistance: 30 mΩ max.
 Insulator resistance: 100 MΩ min.
 Dielectrical withstanding: 500 VAC/minute
 Operating temperature: -40°C ~ +70°C
 Durability: 500 cycles

43901Z



Code	A D G	B E H	C F J
01	t.b.d. by customer		

Color layout



Tolerances	
Linear	<6 ± 0.1 6-20 ± 0.2 >20 ± 0.3



All dim. in mm

43901 Z

01

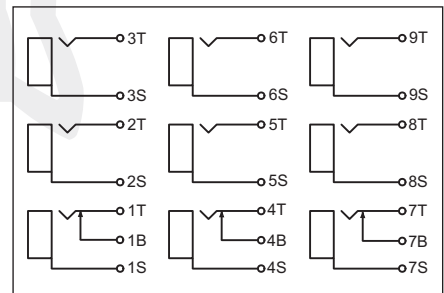
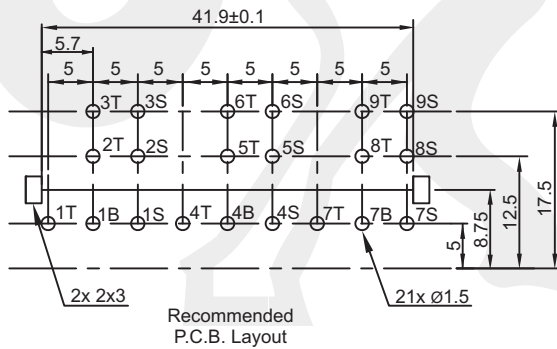
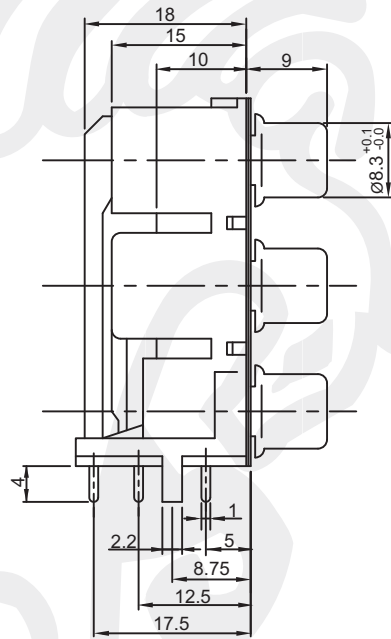
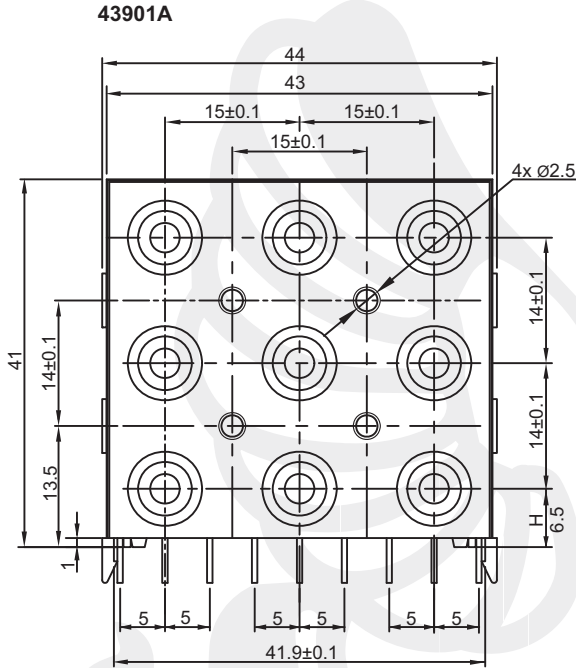
Series
 43901Z
 43901A with switch
 43901B
 43901C with switch

Color code
 see table

Packing
 Box

Series 43901 9x RCA Jack / Cinch

43901A



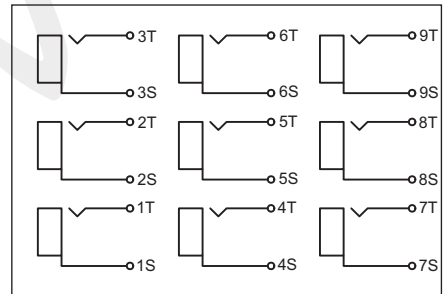
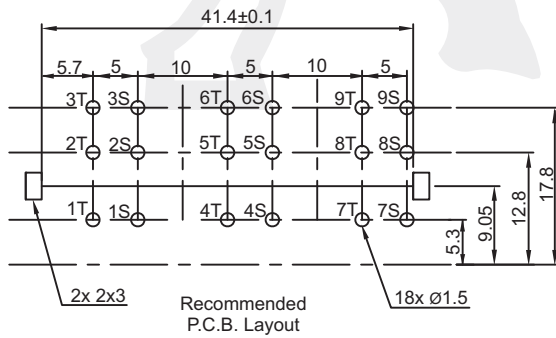
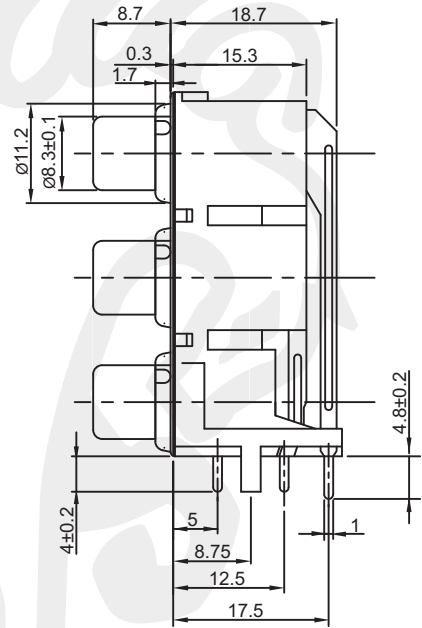
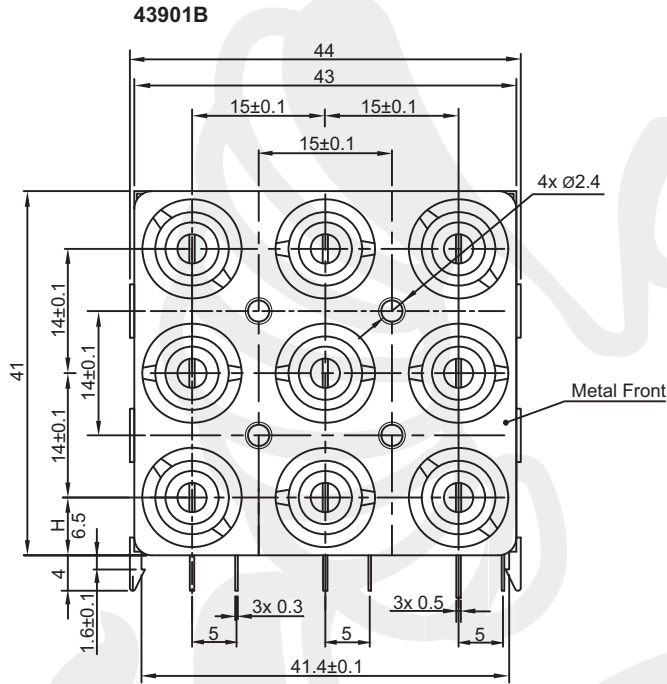
Tolerances	
Linear	<6 ± 0.1
	6~20 ± 0.2
	>20 ± 0.3



All dim. in mm

Series 43901 9x RCA Jack / Cinch

43901B



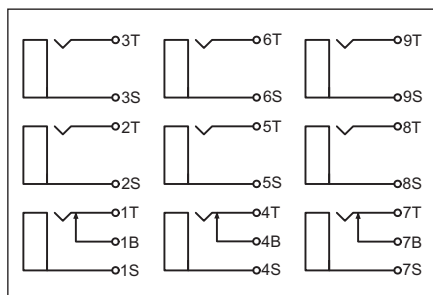
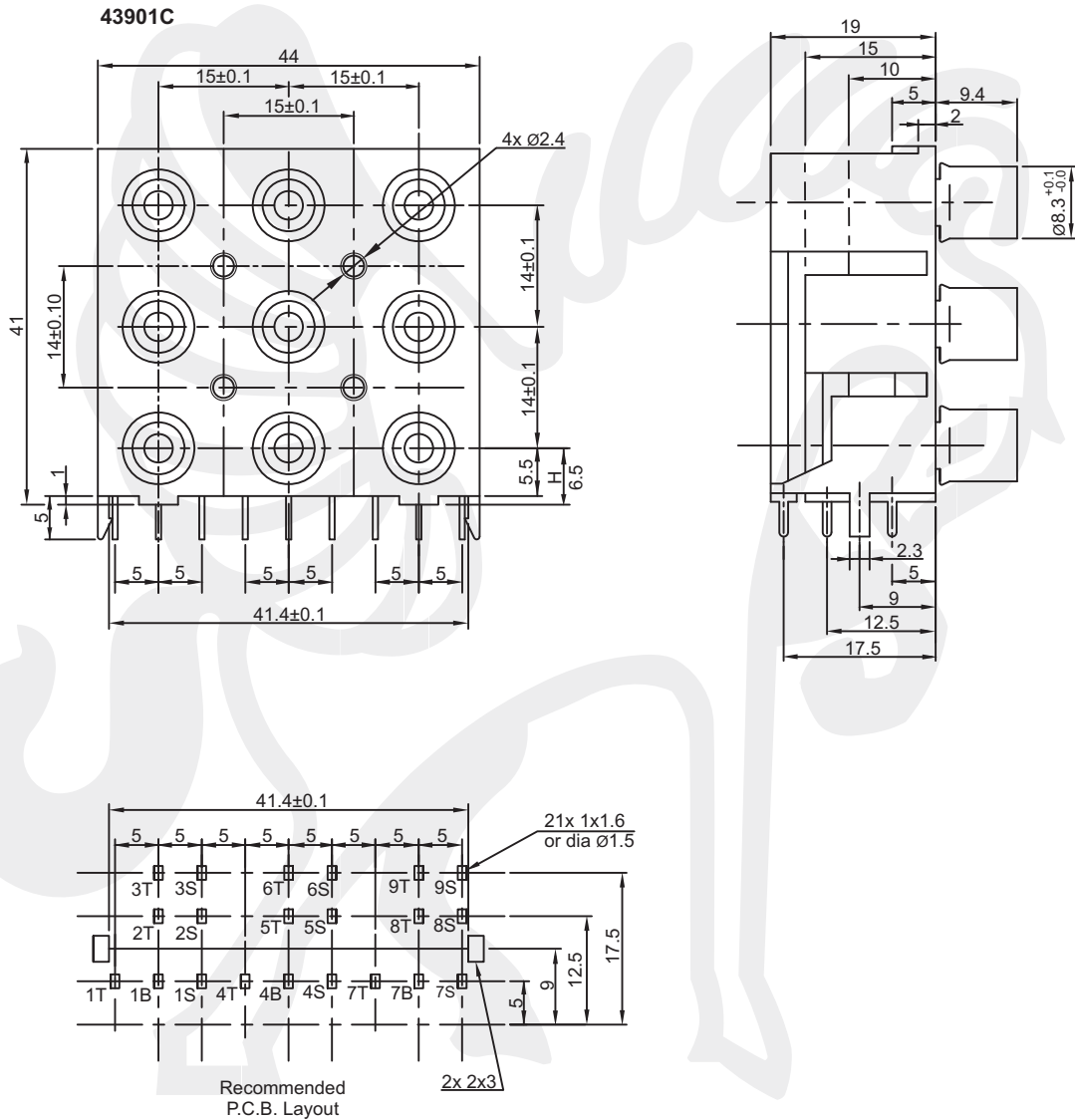
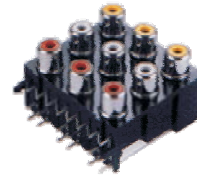
Tolerances	
Linear	<6 ± 0.1
	6~20 ± 0.2
	>20 ± 0.3



All dim. in mm

Series 43901 9x RCA Jack / Cinch

43901C



Tolerances	
Linear	<6 ± 0.1
	6-20 ± 0.2
	>20 ± 0.3



All dim. in mm