

2210 Series

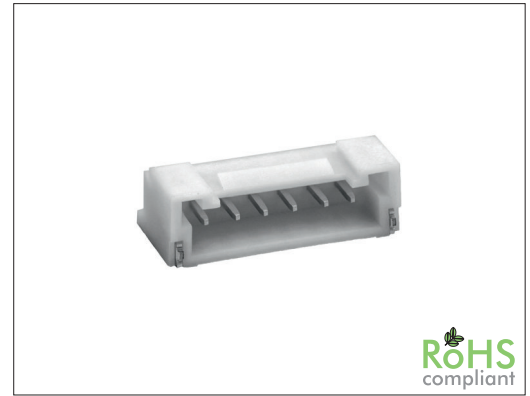
2.00 mm PA SMT Pin Header w/ Lock

General specifications

Insulator material	Nylon 6T w/ 30% glass fiber, UL94V-0, color: natural
Contact material	Brass
Current rating	2 A
Voltage rating	250 V AC/DC
Contact resistance	20 mΩ max.
Insulator resistance	1000 MΩ min.
Dielectrical withstanding	800 VAC for 1 min
Operating temperature	-25 °C to +105 °C
Soldering	JEDEC lead free reflow soldering process

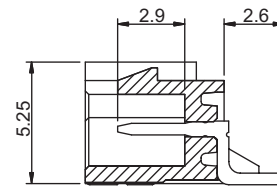
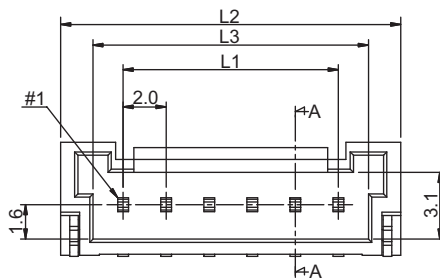
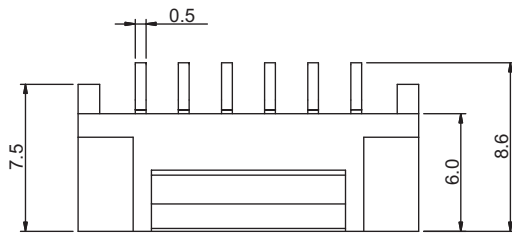
Mating parts series

2210-PT or cable assembly

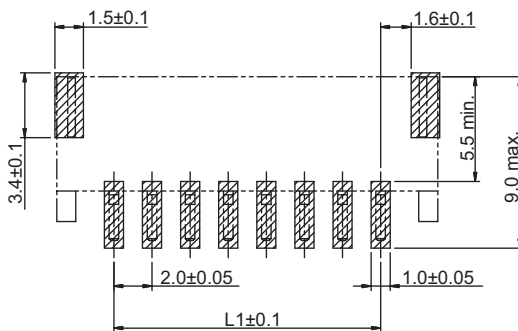


Mechanical dimensions

Unit: mm



Section A-A



Recommended P.C.B. layout

L1 = No. of contacts x 2.00 - 2.00

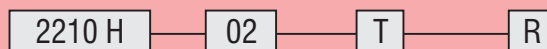
L2 = No. of contacts x 2.00 + 3.80

L3 = L1 + 2.80

Tolerances

Linear	X	± 0.30
	.XX	± 0.20
	.XXX	± 0.10

Part numbering guide



Series

H = SMT horizontal

No. of contacts

02 to 16

Contact plating

T = Tin

Packing

R = Reel

T = Tube

* standard

