

2252 Series

2.50 mm Housing and Terminal

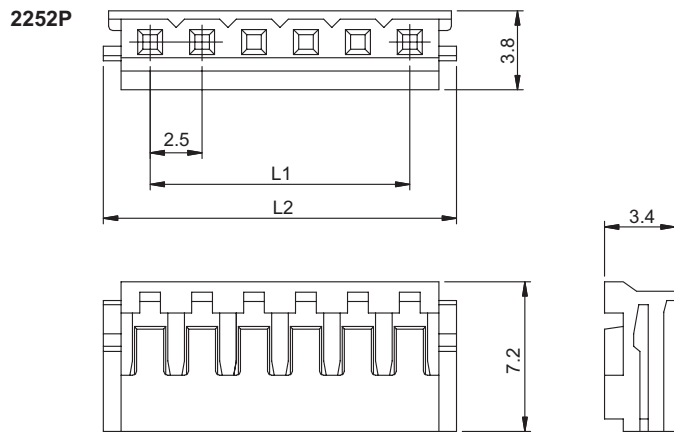
General specifications

Insulator material	Nylon 66, UL94V-0, color: natural
Contact material	Brass
Current rating	3 A
Voltage rating	250 V AC/DC
Contact resistance	10 mΩ max.
Insulator resistance	1000 MΩ min.
Dielectrical withstanding	800 VAC for 1 min
Operating temperature	-25 °C to +85 °C
Mating parts series	
2252-SR	

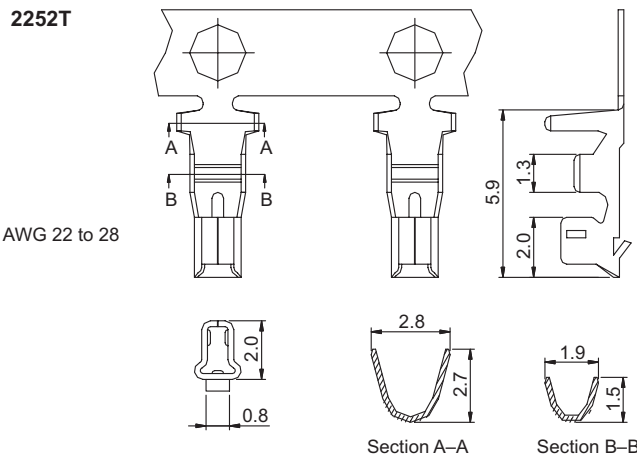


Mechanical dimensions

Unit: mm



L1 = No. of contacts x 2.5 - 2.5
L2 = No. of contacts x 2.5 + 2.0



Wire range: AWG 22 to 28

Tolerances		
Linear	X	± 0.38
	.XX	± 0.25

Part numbering guide

2252 P — **02**

Series
P = Housing
T = Terminal

No. of contacts
02 to 15
(leave blank for terminal)

* standard

