

49073 Series SSMB Plug Straight Solder

General specifications

Insulator material	Teflon
Body material	Beryllium brass
Center contact material	Beryllium copper, plating: 30 μ " gold
Contact resistance	Center: 5 m Ω max., outer: 2.5 m Ω max.
Insulator resistance	1000 M Ω min.
Dielectrical withstanding	500 VAC for 1 min
Impedance / Frequency range	50 Ω / 0 to 4 GHz
VSWR	1.3 + 0.02 F (GHz) max.
Operating temperature	-65 °C to +165 °C
Durability	500 cycles

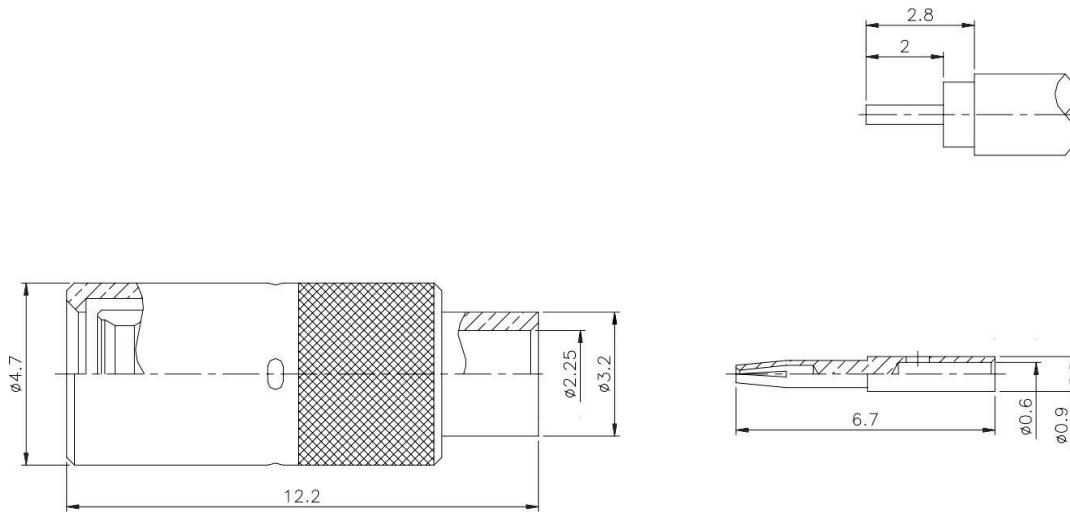
Mating parts series



RoHS
compliant

Mechanical dimensions

Unit: mm



Tolerances		
Linear	< 6	± 0.20
	6 to 30	± 0.40
	> 30	± 0.60

Part numbering guide

49073

Series

G

Cable

G = 0.085", 0.086"

* standard

