

49181 Series

Adapter BNC Jack to SMA Plug

General specifications

Insulator material	Teflon, Delrin
Body material	Brass, plating: nickel
Center contact material	Brass or phosphor bronze, plating: 3 μ" gold
Contact resistance	Center: 10 mΩ max., outer: 5 mΩ max.
Insulator resistance	1000 MΩ min.
Impedance	50 Ω
Frequency range	0 to 1 GHz
Operating temperature	-55 °C to +105 °C
Durability	500 cycles

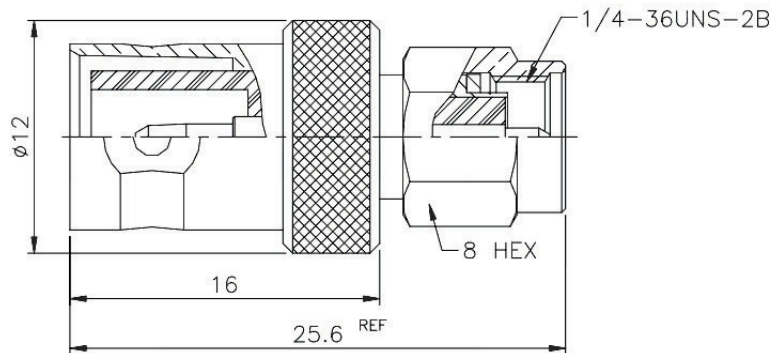
Mating parts series



RoHS
compliant

Mechanical dimensions

Unit: mm



Tolerances

Linear	< 6	± 0.20
	6 to 30	± 0.40
	> 30	± 0.60

Part numbering guide

49181

Series

* standard

