

5876 Series

DC Jack High Power Pin 2.00 or 2.50 mm

General specifications

Insulator material	Nylon PA10T, UL94V-0
Contact material	Pin: zinc alloy plating nickel, spring: steel plating silver
Ground shield material	Steel, plating: nickel
Current / voltage rating	10 A / 20 VDC
Contact resistance	30 mΩ max.
Insulator resistance	100 MΩ min.
Dielectrical withstanding	500 VAC for 1 min
Durability	3000 cycles
Soldering	Lead free wave soldering process

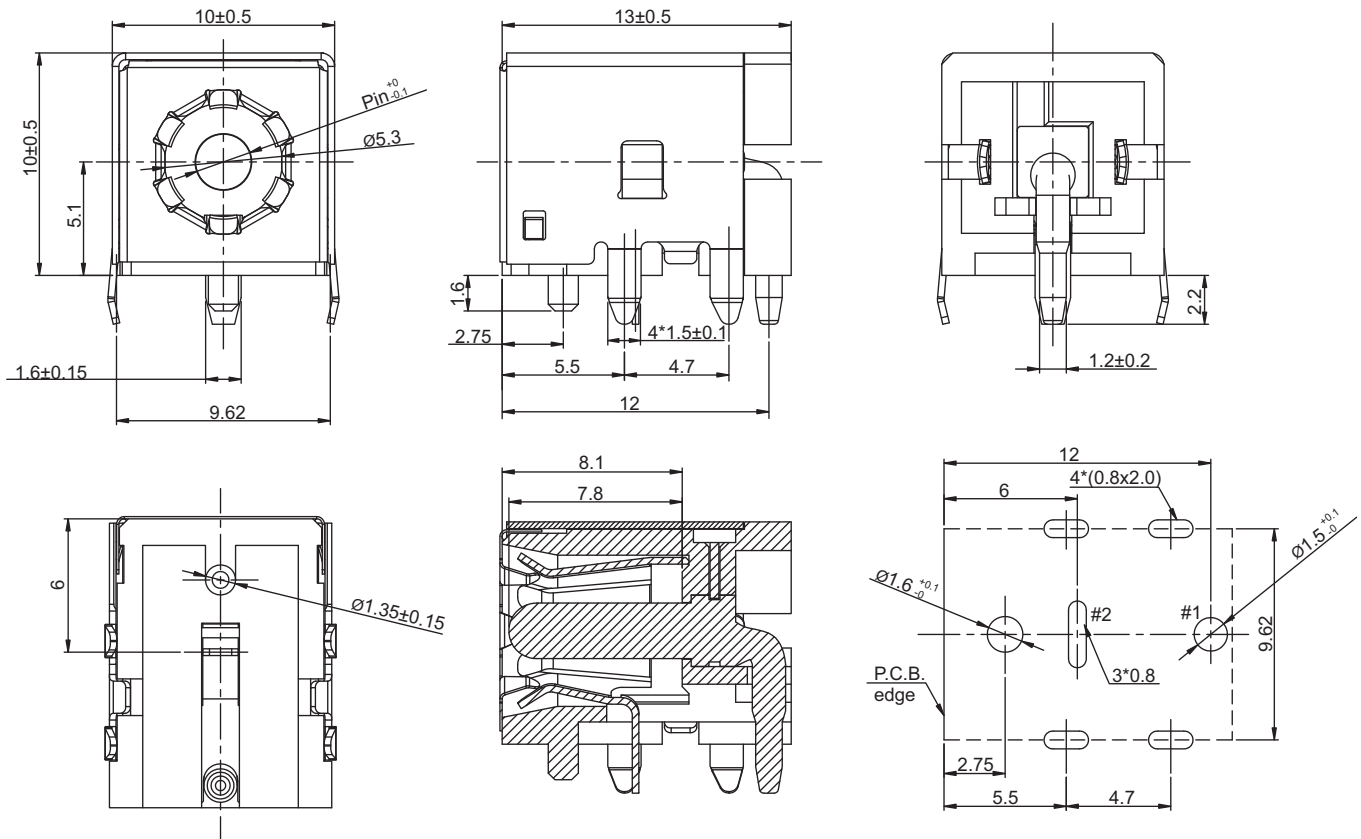
Mating parts series



RoHS
compliant

Mechanical dimensions

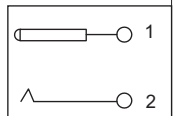
Unit: mm



Recommended P.C.B. layout
top view, tolerance: ± 0.05

Tolerances

Linear	<6	± 0.10
	6 to 20	± 0.20
	>20	± 0.30



Part numbering guide

5876

G

Series

Contact

G = 2.00 mm

J = 2.50 mm

* standard

