

6798X Series

RJ45 Multiport 8P Side Entry Shielded w/ LED

General specifications

Insulator material	High temperature thermoplastic, UL94V-0, color: black
Contact material	Phosphor bronze, plating: gold over nickel
Current rating	1.5 A
Voltage rating	125 VAC
Contact resistance	50 mΩ max.
Insulator resistance	1000 MΩ min. @ 500 VDC
Dielectrical withstandig	1000 VAC for 1 min
Operating temperature	-40 °C to +85 °C
Soldering	Lead free wave soldering process
Durability	750 cycles

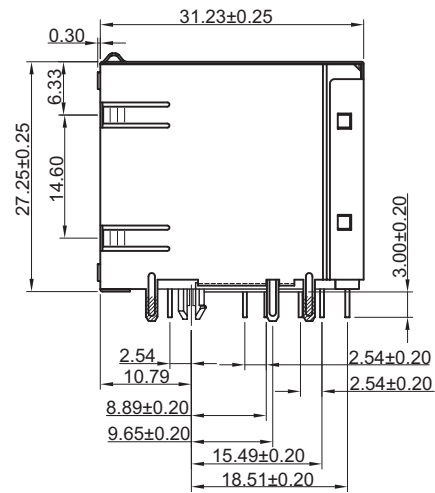
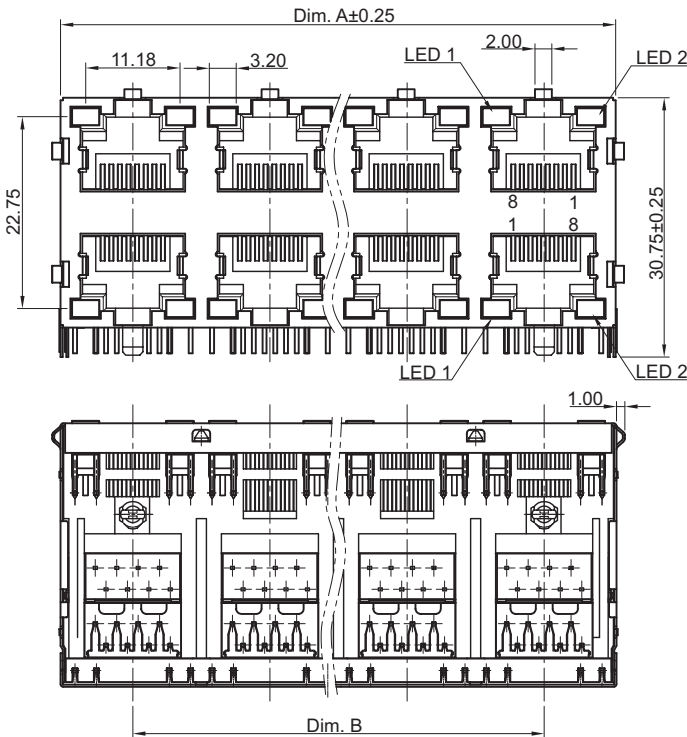
Mating parts series



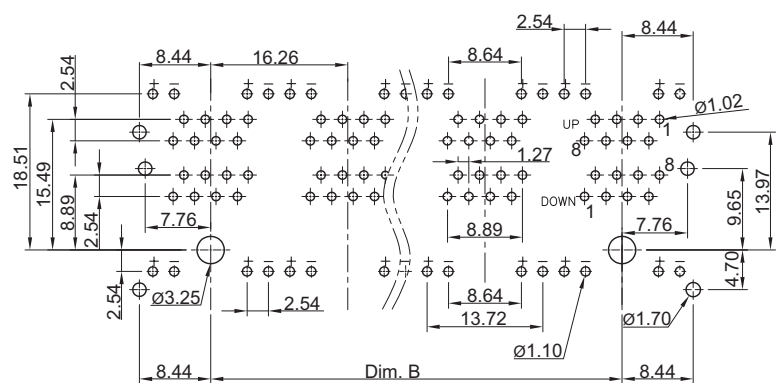
RoHS
compliant

Mechanical dimensions

Unit: mm



Ports	Dim. A	Dim. B
2x2	33.39	16.26
2x3	49.45	32.52
2x4	65.91	48.78
2x6	98.43	81.30
2x8	130.95	113.82



Recommended P.C.B. layout

Tolerances		
Linear	X	± 0.20
	.XX	± 0.15
	.XXX	± 0.10

Part numbering guide

6798	B	C	G	Y
Series	Ports B = 2x2 H = 2x8 C = 2x3 D = 2x4 F = 2x6	Contact plating C = 3 μ" gold K = 50 μ" gold D = 6 μ" gold F = 15 μ" gold J = 50 μ" gold	Color LED1 D = Green/Yellow G = Green R = Red Y = Yellow	Color LED2

* standard

