

2118 Series

1.20 mm Housing and Terminal

General specifications

| | |
|----------------------------|-------------------------------------|
| Insulator material | LCP, UL94V-0, color: black |
| Contact material | Phosphor bronze, plating: flashgold |
| Current rating | 2 A |
| Volage rating | 50 V AC/DC |
| Contact resistance | 20 mΩ max. |
| Insulator resistance | 100 MΩ min. |
| Dielectrical withstanding | 500 VAC for 1 min |
| Operating temperature | -25 °C to +85 °C |
| Mating parts series | |
| 2118-H | |

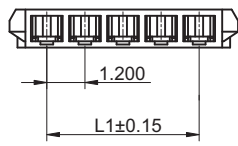


Mechanical dimensions

Unit: mm

2118P

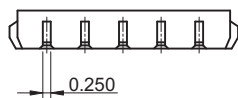
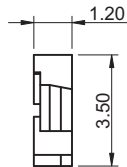
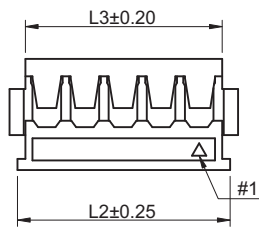
2 to 5 pin



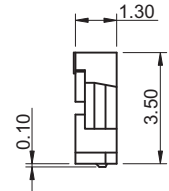
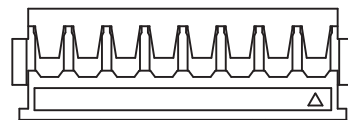
$$L1 = \text{No. of contacts} \times 1.20 - 1.20$$

$$L2 = L1 + 1.90$$

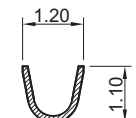
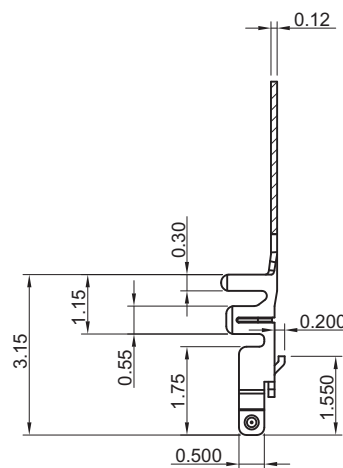
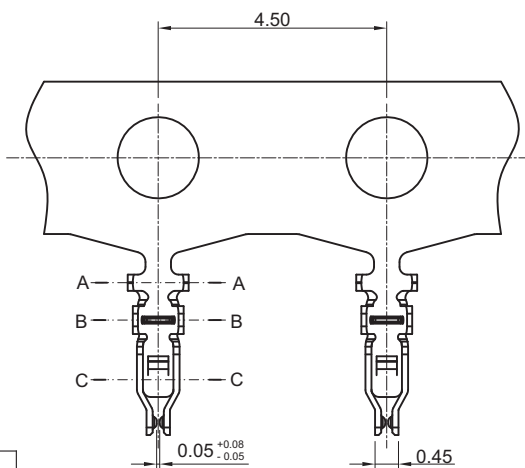
$$L3 = L1 + 1.40$$



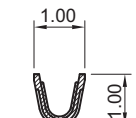
8 to 10 pin



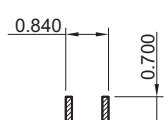
2118T



Section A-A



Section B-B



Section C-C

| Tolerances | | |
|------------|------|--------|
| Linear | X | ± 0.25 |
| | .XX | ± 0.15 |
| | .XXX | ± 0.08 |

Wire range: AWG 28 to 30

Part numbering guide

2118 P

02

Series
P = Housing
T = Terminal

No. of contacts
02 to 10
(leave blank for terminal)

* standard

