

5893 Series

DC Jack Vertical Pin 2.00 or 2.50 mm

General specifications

Insulator material	PC, UL94V-0
Contact material	Brass, plating: silver
Current rating	2.5 A
Voltage rating	24 VDC
Contact resistance	50 mΩ max.
Insulator resistance	100 MΩ min.
Dielectrical withstanding	500 VAC for 1 min
Operating temperature	-25 °C to 85 °C
Soldering	Lead free wave soldering process

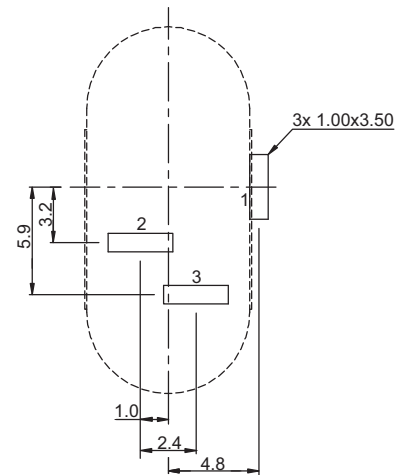
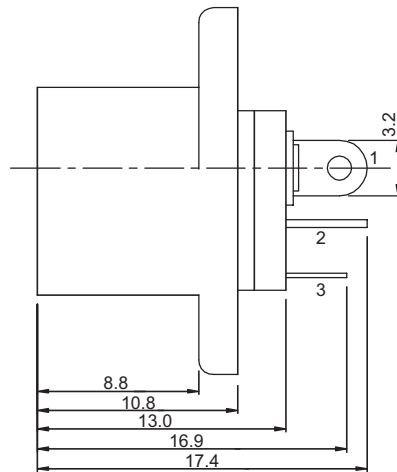
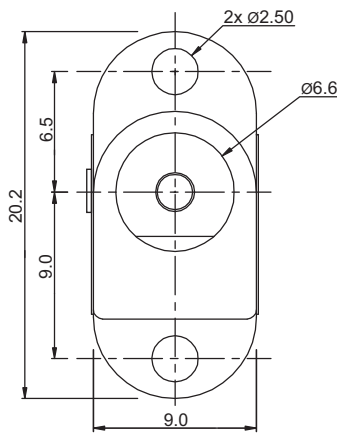
Mating parts series



RoHS
compliant

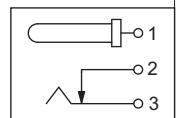
Mechanical dimensions

Unit: mm



Recommended P.C.B. layout
bottom view

Tolerances	
Linear	<6 ± 0.10
	6 to 20 ± 0.20
	>20 ± 0.30



Part numbering guide

5893

G

Series

Contact

G = 2.00 mm

J = 2.50 mm

* standard

