

49552 Series SMA Plug Straight Crimp

General specifications

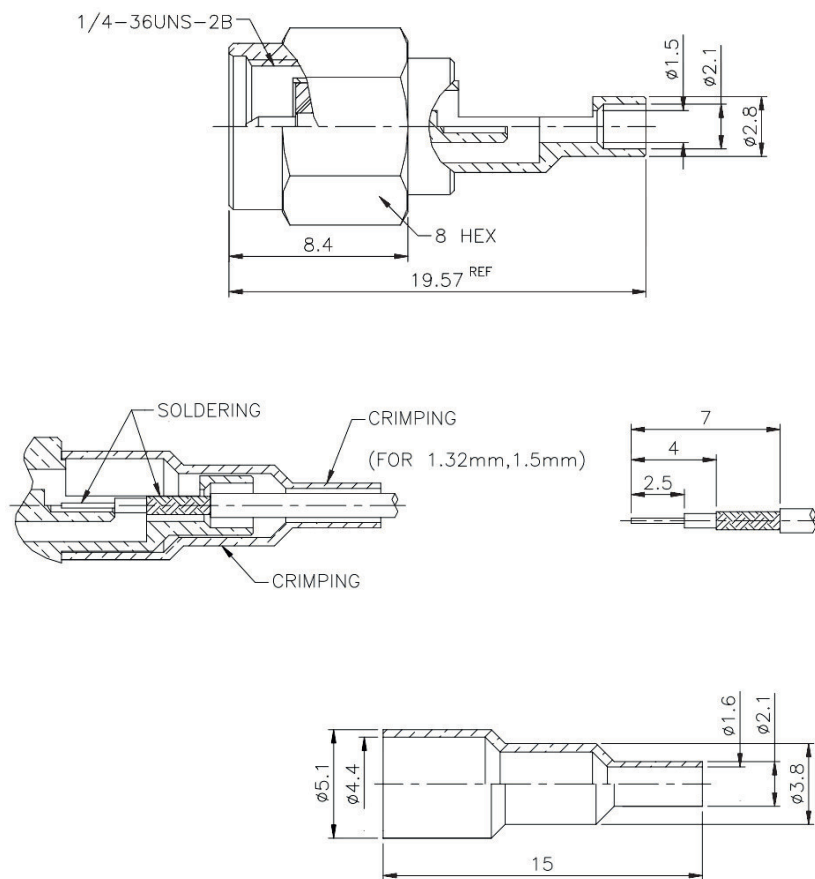
Insulator material	Teflon
Contact material	Brass, plating: gold
Body material	Brass, plating: gold
Crimp ferrules	Annealed brass, plating: gold
Impedance / VSWR	50 Ω / 1.3 max.
Frequency range	0 to 6 GHz
Contact resistance	Center: 6 mΩ max. / outer: 2 mΩ max.
Insulator resistance	5000 MΩ min.
Dielectrical withstanding	500 VAC for 1 min
Operation temperature	-65 C to +165 C
Durability	500 cycles



RoHS
compliant

Mechanical dimensions

Unit: mm



Tolerances

Linear	<6	± 0.2
	6 to 30	± 0.4
	>30	± 0.6

Part numbering guide

49552

F

Series

Cable

F = 1.13 mm, 1.32 mm, 1.5 mm

* standard

