

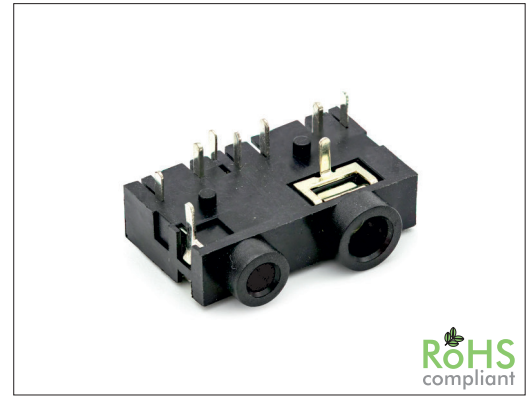
# 4140 Series

# 2.5 mm and 3.5 mm Earphone Jack

## General specifications

Insulator material	PA66, UL94V-0
Contact material	Brass, plating: silver
Current rating	1 A
Voltage rating	12 VDC
Contact resistance	50 mΩ max.
Insulator resistance	100 MΩ min.
Dielectrical withstanding	500 VAC for 1 min
Durability	5000 cycles
Soldering	Lead free wave soldering process

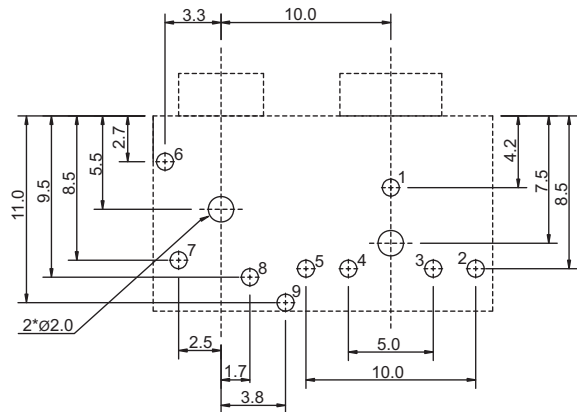
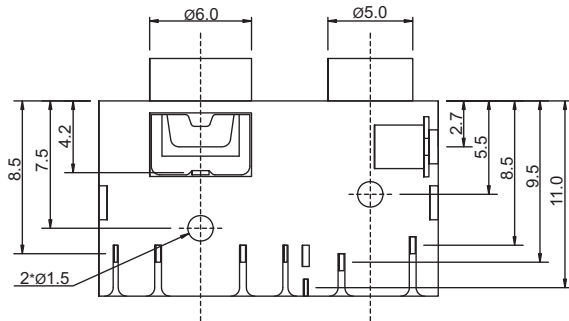
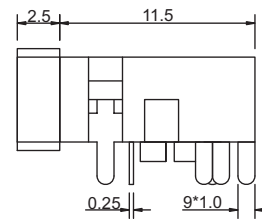
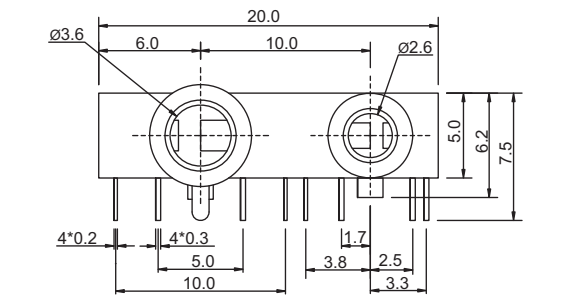
## Mating parts series



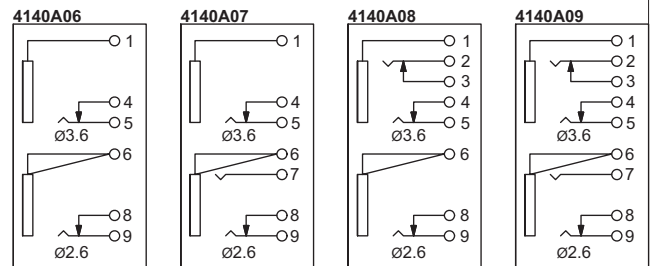
RoHS  
compliant

## Mechanical dimensions

Unit: mm



Recommended P.C.B. layout  
bottom view  
tolerances:  $\pm 0.10$



### Tolerances

Linear	X	$\pm 0.30$
	.XX	$\pm 0.20$
	.XXX	$\pm 0.05$

## Part numbering guide

4140 A — 06 — B

Series

No. of contacts  
06 to 09

Color  
B = Black

\* standard

