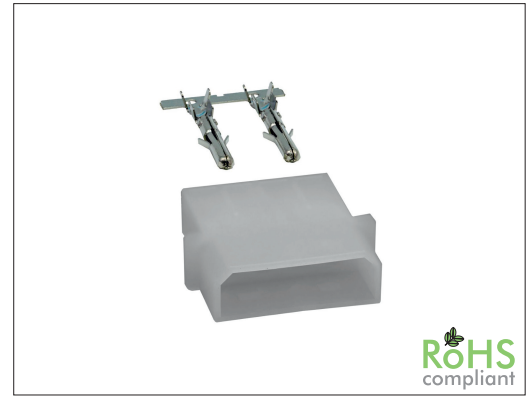


2514 Series

5.08 mm HDD-FH Male Contact Housing and Terminal

General specifications

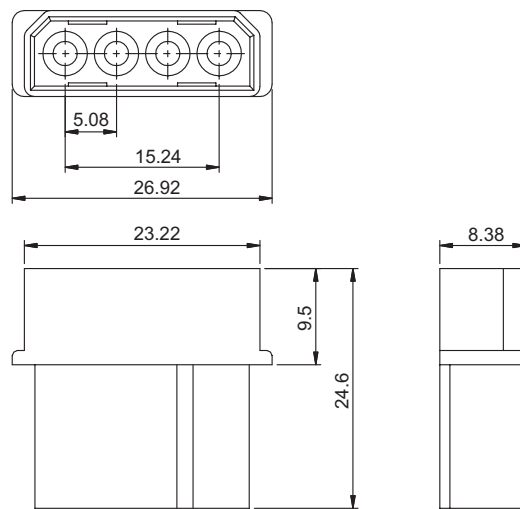
Insulator material	Nylon 66, UL94V-2, color: nature
Contact material	Brass, plating: tin
Current rating	8 A
Voltage rating	250 V AC/DC
Contact resistance	10 mΩ max.
Insulator resistance	500 MΩ min.
Dielectrical withstanding	1500 VAC for 1 min
Operating temperature	-25 °C to +85 °C
Mating parts series	
2514-P or cable assembly	



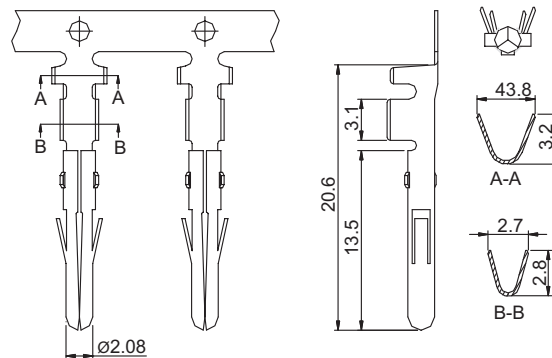
Mechanical dimensions

Unit: mm

2514M



2514Z



Wire range: AWG 18 to 24

Tolerances	
Linear	.X ± 0.38
	.XX ± 0.25

Part numbering guide

2514 M

04

Series
M = Housing
Z = Terminal

No. of contacts
04
(leave blank for terminal)

* standard

